



**GOVERNMENT OF PAKISTAN**  
**PAKISTAN ORDNANCE FACTORIES**  
**WAH CANTT.**  
**PRE-QUALIFICATION NOTICE**

No. 4104-MPO-W-Shot Blast, dt. 16-10-2017

POF Weapons Factory invites Pre-Qualification documents from foreign OEMs of Europe, USA & Japan/their authorized suppliers for procurement of the following:-

Description of Machine	Qty.
<b>Hanger Chain Continuous type Shot Blasting Machine</b> For removal scale, rust on the surface of components before phosphate and paint operations (Sketches of components attached as Annex-"A")	01
a. Component size = 130*100*1100 (mm) b. Unit weight of components to be shot blasted. = 0.1 to 04 (kg) c. Available size of steel shots = 0.125 to 0.3 (mm) d. Productivity per hour according to mentioned size of components (approx.) = 30 components or more e. Hanger must have facility to hold multiple components of mentioned size. f. Machine must have a facility to control the speed of conveyor so that speed can be adjusted according to components' requirement. g. Conveyor must have a facility to rotate the fixture with components axially.	

Interested OEMs must provide following information:

- i. Proof of being an OEM/authorized suppliers with company profile/brochure.
  - ii. Detail of such type of machine supplied to other customers worldwide with financial value.
  - iii. Performance of such type of machine supplied to various customers.
  - iv. Backup services in Pakistan.
  - v. Business with POF.
  - vi. Financial status by showing annual turnover.
  - vii. Appropriate managerial capacity.
2. Sealed envelopes containing pre-qualification documents completed in all respect must reach this office on or before **05-12-2017** but not later than closing time **1200 hrs**. The Pre-Qualification documents will be opened at **1230 hrs** on the same date in the office of undersigned. Tender documents will be issued to the pre-qualified firms only.
  3. The competent authority reserves the right to reject any firm. However, reasons for rejection can be provided upon request. In this decision of competent authority will be considered as final and unchallengeable.
  4. Obtaining of **Export License** from their respective government will be the responsibility of OEM. Conditional offers will not be acceptable.

Managing Director  
 Weapons factory  
 Tele: +92-51-9055-21015  
 Fax #: 92-51-9271400/9314100  
 E-mail: [mdwpm@pof.gov.pk](mailto:mdwpm@pof.gov.pk).

ANNEX-"A"

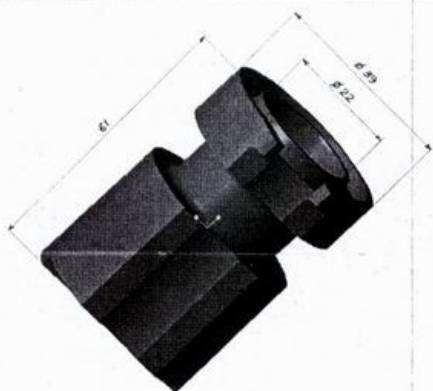


Fig 1

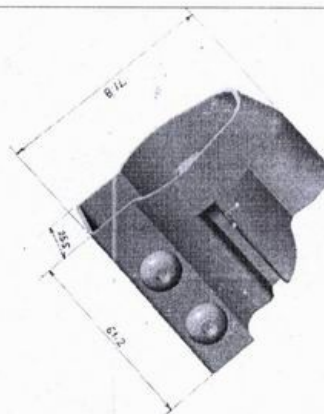


Fig 2

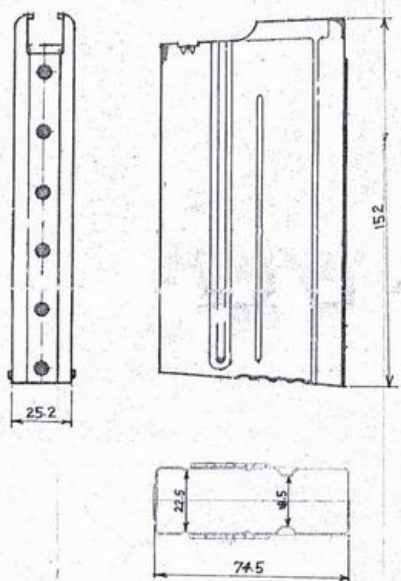


Fig 3

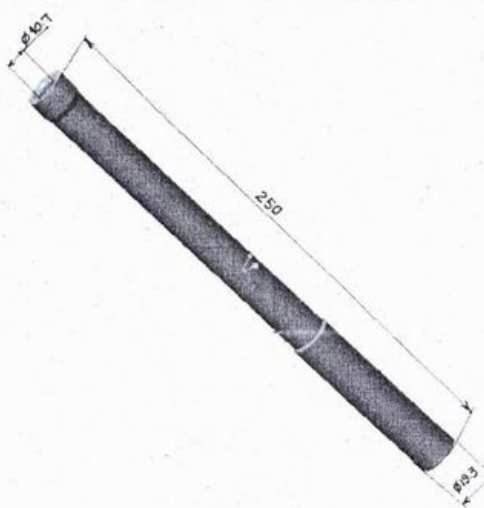


Fig 4

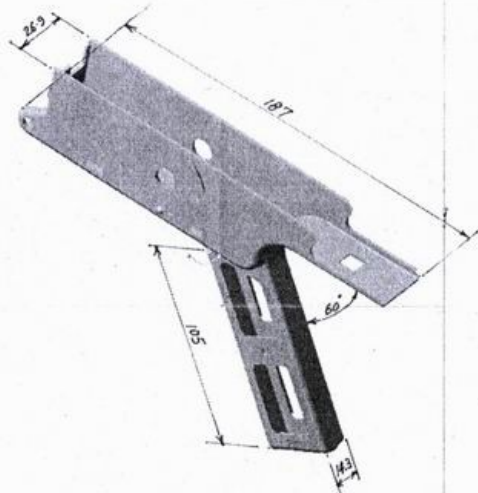


Fig 5

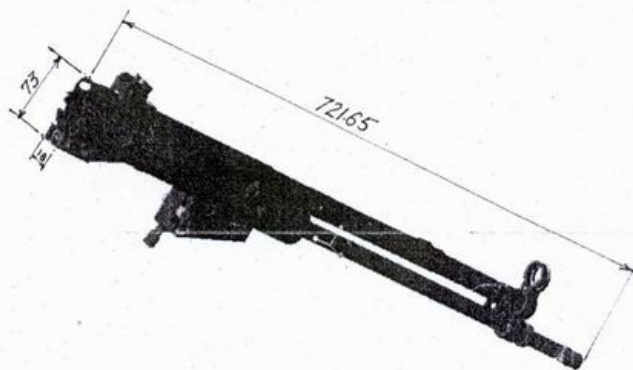


Fig 6