



POF 1262-A
(INDIGENOUS SUPPLIES)

GOVERNMENT OF PAKISTAN
PAKISTAN ORDNANCE FACTORIES
TENDER ENQUIRY

To _____

Dear Sirs,

Reference: TENDER ENQUIRY No. 0004/LP/49/TAF DATED 04.06.2018.

You are requested to submit quotations for the item (s) noted in the Schedule to the Tender. Offer should be sent duly sealed in an envelope. Please note the following instructions for filling the tender:-

1. SUBMISSION OF TENDER

1.1. Tenders will be opened at 1230 hours on **28-06-2018** and must reach this office on or before 1200 hours upto due date. The tender received late will not be entertained. You may witness the opening of the tender if you so desire. If a representative is deputed, he should bring a letter of authority from you.

1.2. Only one tender should be included in one envelope. The outside of the envelope should be inscribed with: -

Tender Enquiry No: 0004/LP/49/TAF DATED 04.06.2018

Tender to be opened on: **28-06-2018 at 1230 Hours**

Address as follows:-

Managing Director POF Gadwal,
Wah Cantt Pakistan Post Code 47040)

1.3. If envelope do not indicate reference of T.E or received late the same may be returned un-opened.

2. GENERAL INSTRUCTIONS REGARDING PREPARATION OF QUOTATIONS

2.1 For materials, the prices should be filled in column 5 and delivery date in column 6 of the schedule to this Tender Enquiry. The undertaking should be signed at the bottom of the schedule, which shall form the Quotation. You may use a separate sheet if necessary.

2.2. For plant and Machinery, you are required to quote in two parts:-

Part I "Technical offer": It should exclusively give technical details and literatures/brochures of the offered plant, machinery and equipment; validity date; delivery schedule; and signed undertaking given on the schedule to this Tender Enquiry. It must not indicate price, costs etc.

Part II “Commercial offer” It should indicate the commercial terms e.g. price, terms of payment, mode of payment, mode of supply.

Each part should be placed in a separate sealed cover. The envelopes should be inscribed with: Part I “Technical Quotation without price” and Part II “Commercial Quotation with price.”

2.3 The quotation must remain valid for, at least 90 days from the date of opening of tenders.

2.4 The quotation should hold good for any reduced or enhanced quantities without notice.

2.5 In the event of non-acceptance of offer, intimation may be given to the Tenderers on their request.

2.6 Conditional offers or alternative offers are likely to be ignored.

2.7 Quotations should be based on:-

F.O.R. station of despatch basis, i.e. delivered free on rail, inclusive of packing and forwarding charges. The stores will be booked under Military Credit Note, to be provided by the purchaser. and/or Free delivery at POF's store at **TA Fy POF Wah Cantt** in this case Octroi duty will be payable by the supplier.

2.8 Taxes and Duties etc. where applicable must be shown separately, quoting reference to Registration No. in cases of Sales Tax and relevant authority in the case of others. Offer without these clarifications and inclusive of Taxes and Duties may be ignored.

2.9 Taxes and duties levied on or after Tender opening date or on or after the date offer was signed and despatched will be allowed to include in the offered rates.

2.10 "Suppliers will furnish a certificate, issued by Excise & Taxation Deptt., that he has cleared all Professional tax payable by him". Offers received without this certificate will be rejected.

2.11 Suppliers will render necessary information regarding hazardous effects on environment, of the materials/products supplied by them, in their quotations and shipping/despatch documents.

2.12 If the requisite information is not furnished on the T.E. Forms or offer received is not conformity with the requirement of the T.E such offer shall be ignored.

3. INSPECTION

3.1 Supplies shall be subject to the inspection and acceptance by the competent inspection authority nominated by the Purchaser, who will arrange it at his own cost. Inspection facilities such as tools, test equipment, instruments etc will, however, be provided by the Suppliers in accordance with the relevant specifications.

3.2 Where considered necessary by the Purchaser, stores may be obtained on Warranty/Guarantee, subject to inspection on receipt. Rejected stores will be removed and replaced with the acceptable stores by the Supplier at his own expense, within a specified time.

4. TENDER FEE

The tender must be accompanied by a non-refundable fee means of a crossed **postal order / pay order for Rs. 500/- in favour of Director Admin POFs Wah Cantt.**

TENDER SAMPLE

4.1 Where required, offer must accompany tender sample, strictly according to the description and specification given in Tender Enquiry. Offer not accompanied by tender sample will NOT be entertained excepting the established and reputable firms who have either previously satisfactorily supplied the same or similar stores or have submitted an acceptable sample thereof against previous T.E.

5. BID MONEY

5.1 **Bid Money at the rate of 2% (for registered firms) and 5% (for un-registered firms) of the quoted value**, should accompany the tender in the shape of Deposit At Call Receipt / pay order / bankers cheque, from a Scheduled Bank drawn in favour of **General Manager PP&C POF Gadwal Wah Cantt.** Tenders received without Bid money will be rejected.

5.2 Bid Money of the unsuccessful tenderers will be returned as soon as the scrutiny of the tenders is completed. Bid Money of the successful tenderers will be retained until the contract is finalized. Bid Money will be forfeited in case the quotation is withdrawn before the expiry of its validity date.

5.3 State owned organizations are not required to provide Bid Money.

6. ACCEPTANCE OF OFFERS

6.1.1 The procuring agency may reject all bids or proposals at any time prior to the acceptance of a bid or proposal. The procuring agency shall upon request communicate to any supplier or contractor who submitted a bid or proposal, the grounds for its rejection of all bids or proposals, but is not required to justify those grounds.

6.1.2. Procuring agency shall incur no liability , solely by virtue of its invoking sub-rule (1.1) towards suppliers or contractors who have submitted bids or proposals.

6.1.3. Notice of rejection of all bids or proposals shall be given promptly to all suppliers or contractors that submitted bids or proposals.

6.2 PERFORMANCE BOND

(a) The successful bidder shall provide performance bond at the rate, prescribed by POF Board according to the value of contract which shall not exceed 10% of contract value, in the form of Deposit At Call Receipt from any scheduled bank, or an unconditional bank guarantee valid for 12 months (03) months extendable to 12 months in case of cloth items required by Clothing Fy) after receipt of store in POF on a prescribed format. The performance Bond will be in favour of CMA POF Wah Cantt. It will be returned on satisfactory completion of the contract.

(b) If the supplier fails to furnish the Performance Bond within the specified time, such failure will constitute a breach of the contract and the Purchaser shall be entitled to make other arrangements for purchase of the stores at the risk and expense of the Supplier.

6.3 Performance bond from state owned organizations may be waived off at the discretion of the purchaser.

6.4 FAILURE TO SUPPLY THE STORES.

All deliveries must be completed by the specified date. If the failure to deliver the stores within the scheduled time should have arisen from "Force Majeure", which the Purchaser may admit as reasonable ground for further time, he will allow such additional time as he may consider to have been required by the circumstances of the case. Otherwise, he will be entitled, at his discretion, to cancel the contract; and/or, claim liquidated damages upto 2% but not less than 1% of the contract price of the items and their quantities for each and every month or Part of a month, beyond the specified delivery date, during which these may not be delivered, subject to a maximum of 10% of the total contract value of the particular stores which remained unsupplied either in part or in full: or, to purchase, from elsewhere, the unsupplied stores at the risk and cost of the Supplier.

6.5 PAYMENT.

Payment will be made by the CMA (POF) through crossed cheque on receipt/acceptance of store on our prescribed bill form supported by receipt voucher on part / full supply basis.

(a) Payment of duties/Taxes including professional tax (where applicable) must be supported by proof of having paid these to concerned Govt. Taxation Deptt:

7. SECURITY OF INFORMATION.

The tenderer and his employees must not communicate any information relating to the sale/purchase of stores under this enquiry to any person other than the manufacturer or to any press or agent not authorized in writing by POFs to receive it.

Please return the Schedule to the tender duly signed by the specified date, alongwith the specifications, drawings etc. if any, enclosed herewith - even if you are unable to quote.

WARNING In case the firm abstain from making offers or fail to return/acknowledge the tender form by the specified date on three consecutive occasions, no further tender enquiry will be issued to them and their names would be liable to remove from approved list.

Yours faithfully,

(Muhammad Masood)
GM-PP&C-POF GADWAL
For PAKISTAN ORDNANCE FACTORIES

PAKISTAN ORDNANCE FACTORIES

SCHEDULE TO TENDER ENQUIRY NO. 0004-LP-49-TAF DATED 04.06.2018
FOR MATERIALS

1

Sr #	Description of Store/Specifications	Unit	Qty	Price / Unit FOR or Free delivery In Figures In Words.	Delivery Date
1	Alumina Insulator Sleeve Size 35mmOD x 28mm ID x 76mm long (Alumina Compound) Density 3.5gm/cm ³ min, Working Temp 1600 ⁰ C (Sintering Furnace) as per Drg # CAD-TAF/0248 enclosed.	Nos	300		Within 03 months
2	Alumina Insulator Sleeve Size 19mmOD x 13mm ID x 51mm long (Alumina Compound) Density 3.5 gm/cm ³ min, working Temp 1600 ⁰ C (Sintering Furnace) as per Drg # CAD-TAF/0247 enclosed.	Nos	850		
3	Alumina Insulator Sleeve (collar Insulator) Size 15/17mmOD x 6.5mm ID x 76mm long (Alumina Compound) Density 3.5 gm/cm ³ min, Working Temp 1600 ⁰ C (Sintering Furnace) as per Drg # CAD-TAF/0246 enclosed.	Nos	2150		
4	Thermocouple Size 18" long, Moly Sheath A-2- 18-WS-STD-ISO, 1/8" Dia, suitable to with stand working Temp 1700 ⁰ C as per Sk # 053/TAF enclosed.	Nos	21		

(2) For Plant & Machinery:

Specifications:- as above, Drg # CAD-TAF/0246, CAD-TAF/0247, CAD-TAF/0248 & Sk # 053/TAF enclosed herewith.

(3) **Special Conditions.**

- a. Only registered suppliers (with Sales Tax & income Tax Deptt who are on Active Taxpayers List (ATL) of FBR are eligible to supply goods/Services to Govt departments. Payment to registered persons may be linked with the Active Taxpayer status of suppliers as per FBR database. If any registered supplier is not in ATL his payment should be stopped till he files his mandatory returns and appears on ATL of FBR.
- b. Brochure of manufacturer containing all technical data i.e. Part No, size, drg, spec, accessories, origin / make etc to be enclosed alongwith offer. Advance sample will be required before bulk supply.
- c. It must be clearly indicated whether the quoted price is exclusive/inclusive of sales Tax. However the bill for the supplies must accompany the relevant Sales Tax Invoice, Sales Tax Registration Certificate, NTN & Professional Tax Certificate (Punjab Province).
- d. Offers must accompany tender fee postal order as per TE clause-4 and bid money CDR as per TE clause-5. Offer received without tender Fee, bid money will be ignored.

(4) **Undertaking**

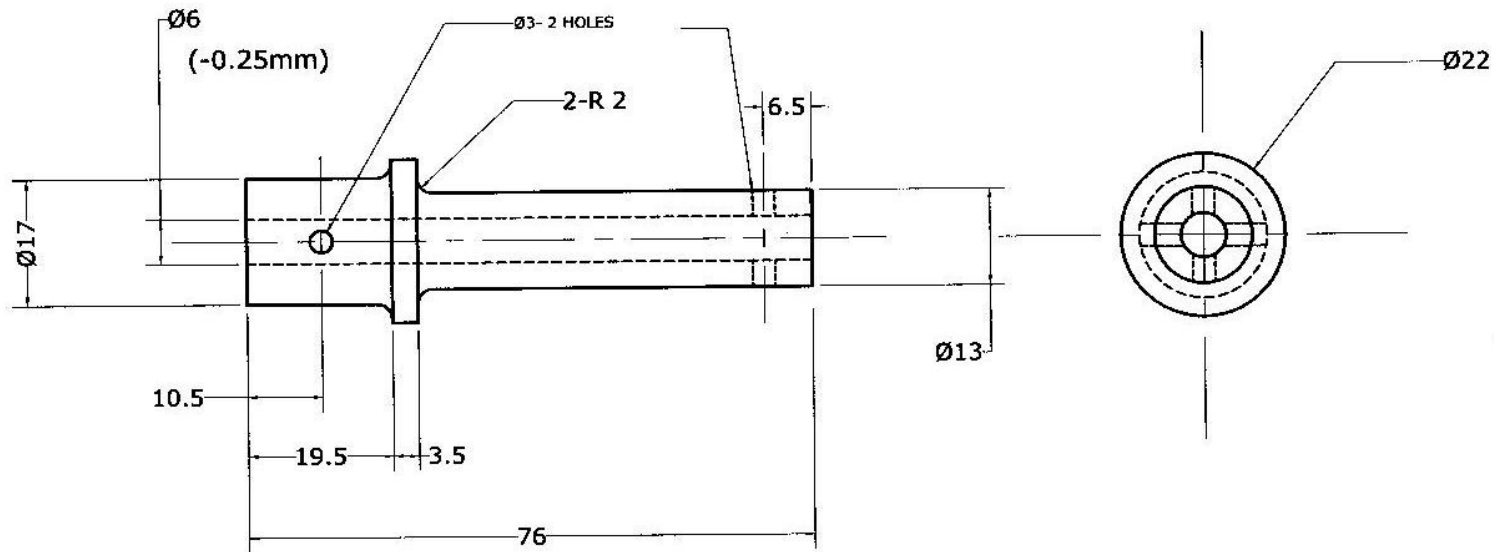
Should our offer be accepted, we hereby undertake to supply the stores/render the Services contracted on the basis of general conditions of contract embodied in Form POF-1281 and to deposit the performance bond within the prescribed time, failing which it will constitute a breach of contract, and POF will have the right to purchase the stores / services elsewhere at our risk and cost.

Place..... Signature of the Tenderer

Date..... Name..... Position.....

Address..... Official Stamp

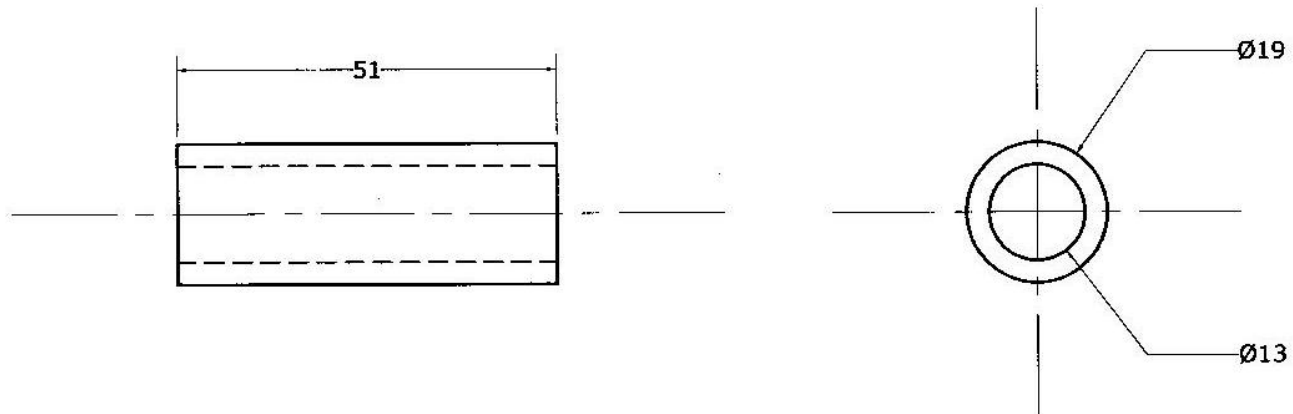
Income Tax G.I.R. No.....



MATERIAL : Alumina Compound
 Density
 Working Temp.
 (Sintering Furnace)

3.5 gm / cm³
 1600°C

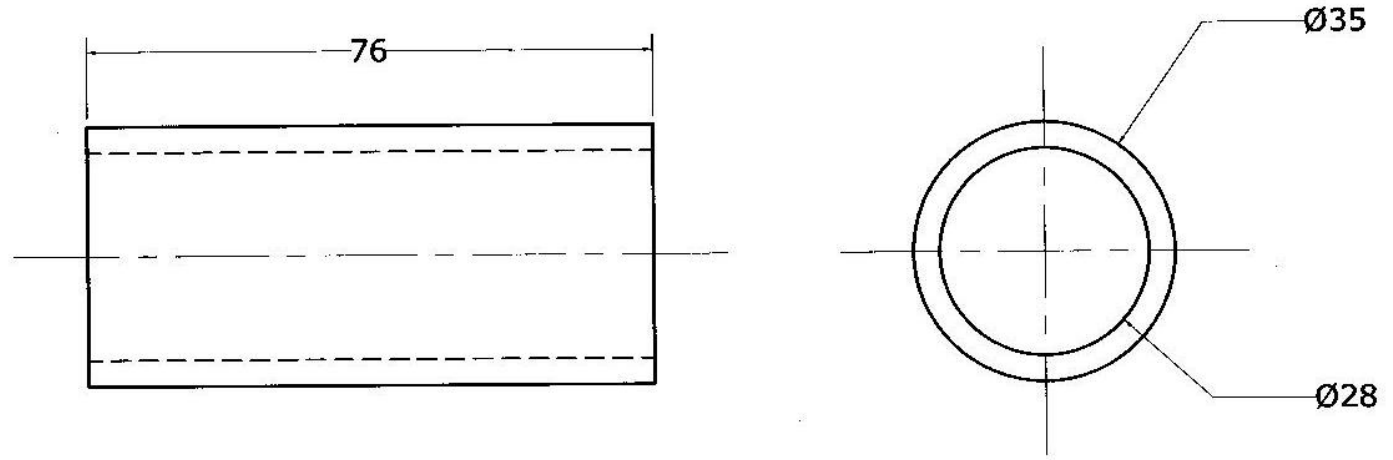
BASED ON.		SCALE 1:1
P.O.F / T.A.F.		
DRAWN By. KSHIF ALRIA - C.MAN.	CHECKED BY.	APPROVED BY.
TITLE: ALUMINA INSULATOR WITH COLLOR		
DRAWING.No. CAD-TAF/0246	DATE: 13-05-2015	



MATERIAL : Alumina Compound
 Density 3.5 gm / cm³
 Working Temp. 1600°C
 (Sintering Furnace)

BASED ON.		SCALE 1:1
P.O.F / T.A.F.		
DRAWN By. KSHIF AZKIA-CMAN.	CHECKED By.	APPROVED By.
TITLE: ALUMINA INSULATOR		
DRAWING.No. CAD-TAF/0247	DATE: 13-05-2015	

(melcuts)

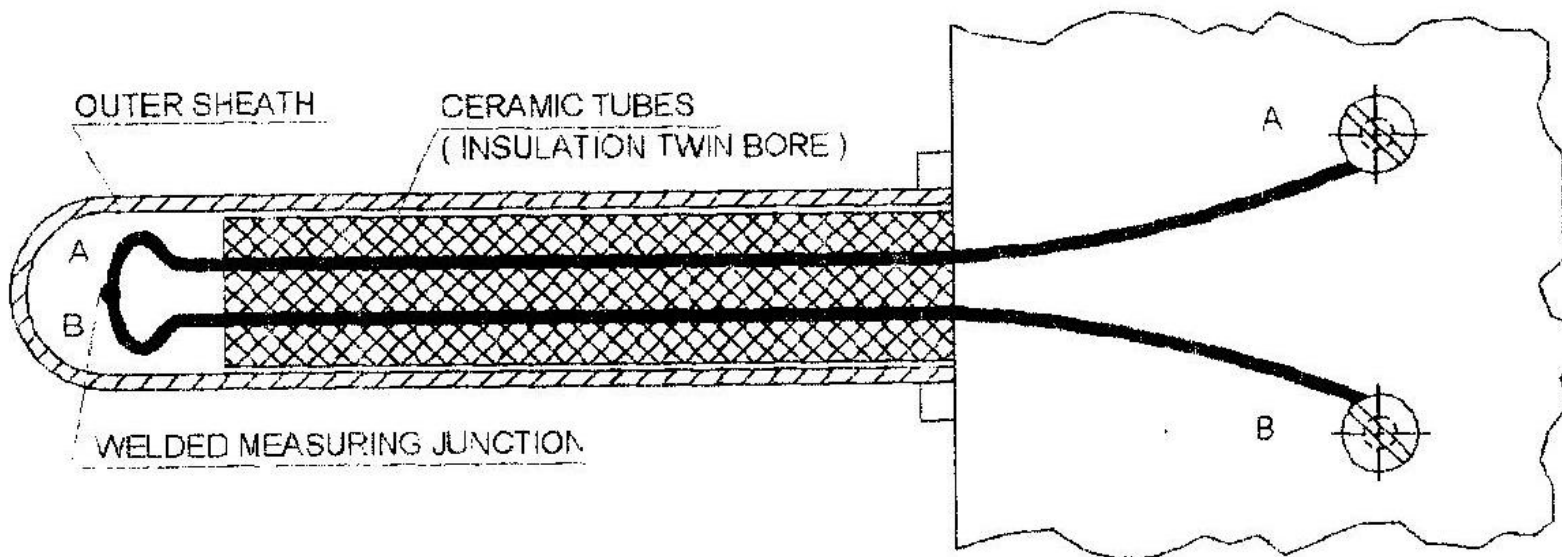
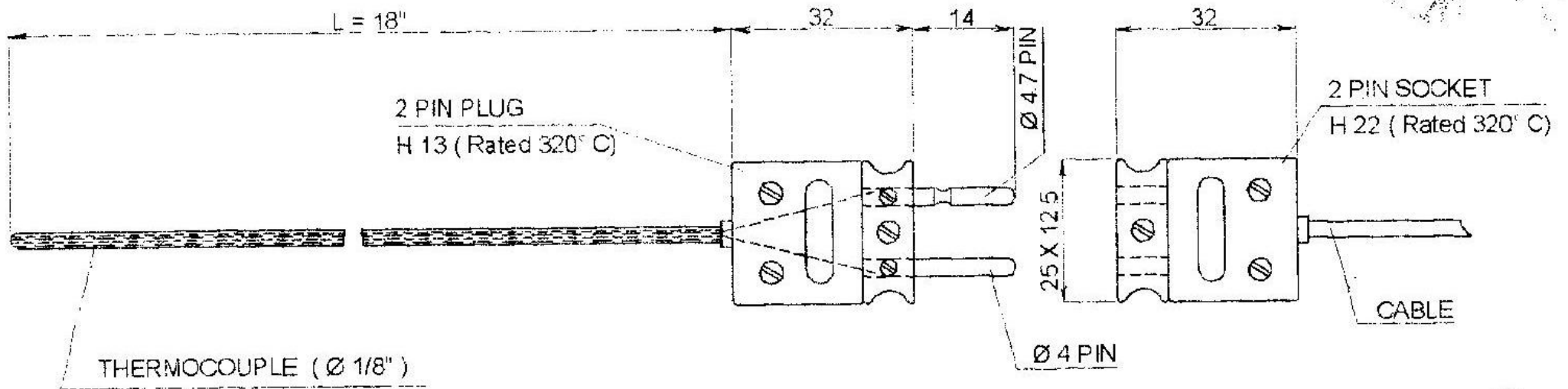
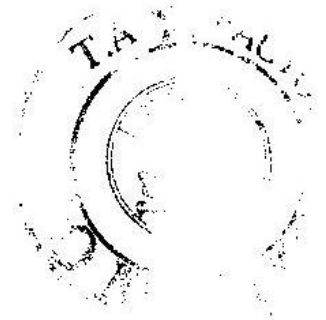


MATERIAL : Alumina Compound
Density 3.5 gm / cm³
Working Temp. 1600°C
(Sintering Furnace)

BASED ON.		SCALE 1 : 1
P.O.F / T.A.Fy		
DRAWN By. KSHIF AZKIA -CMAN.	CHECKED By.	APPROVED By.
TITLE: ALUMINA INSULATOR		
DRAWING.No. CAD-TAF/0248	DATE: 13-05-2015	

THERMOCOUPLE

CODE: W-5 { Tungsten 5% Rhenium (+ Leg)
 Tungsten 26% Rhenium (- Leg)



Drwn By *[Signature]*
 Chack By *[Signature]*
 Appr By *[Signature]*

STANDAED (IRA) : Impervious recrystallised alumina
 Max Temp : 1800° C

Sk. No. 053 / TAF