



POF 1262
(FOREIGN SUPPLIES)

GOVERNMENT OF PAKISTAN
PAKISTAN ORDNANCE FACTORIES
TENDER ENQUIRY.

To

M/s

NEWS

Dear Sirs,

Reference: TENDER ENQUIRY NO. **0022-SJL-FP-48**

DATED: **02-05-2018.**

You are requested to submit quotations for the items(s) noted in the Schedule to the Tender. Offers should be sent duly sealed in an envelope. Please note the following instructions for filling the tender:-

1. **SUBMISSION OF TENDER**

1.1 Tenders will be opened at **1130 hours** on **07-06-2018** and must reach this office on or before **1100 hour upto due date**. The tender received late will not be entertained. You may witness the opening of the tender if you so desire. If a representative is deputed, he should bring a letter of authority from you.

1.2 Only one tender should be included in one envelope. The outside of the envelope should be inscribed with:-

Tender Enquiry No: **0022-SJL-FP-48**

DATED: **02-05-2018.**

Tender to be opened on: **07-06-2018**

Address as follows:-

MANAGING DIRECTOR POF SANJWAL CANTT DISTRICT ATTOCK PAKISTAN.

1.3 If envelope does not indicate reference of T.Es or received late the same may be returned un-opened.

2. **GENERAL INSTRUCTIONS REGARDING PREPARATION OF QUOTATIONS**

2.1 For materials, the prices should be filled in column 5 and delivery date in column 6 of the schedule to this Tender Enquiry. The undertaking should be signed at the bottom of the Schedule which shall form the Quotation. You may use a separate sheet if necessary.

2.2 For Plant and Machinery, you are required to quote in two parts:-

Part I "TECHNICAL OFFER" It should exclusively give technical details and literatures/brochures of the offered plant, machinery and equipment; validity date; delivery schedule; and signed undertaking given on the schedule to this Tender Enquiry. It must not indicate price, costs etc.

Part II "COMMERCIAL OFFER" It should indicate the commercial terms e.g. price, terms of payment, mode of payment, mode of supply.

Each part should be placed in a separate sealed cover. The envelopes should be inscribed with: Part I "Technical Quotation without price" and Part II "Commercial Quotation with Price."

- 2.3 The quotation must remain valid for, at least 90 days from the date of opening of tenders.
- 2.4 The quotation should hold good for any reduced or enhanced quantities without notice.
- 2.5 In the event of non-acceptance of offer, intimation may be given to the tenderers on their request.
- 2.6 Conditional offers or alternative offers are likely to be ignored.
- 2.7 Quotations should be based on F.O.B. The consignment will be shipped through Pakistan National Shipping Corporation(PNSC). In case there is no PNSC service in the country of shipping, please quote on C & F basis. The freight should be indicated separately. Insurance premium should not be included in the quoted price. However where insurance is considered necessary, advice to that effect should be given in the quotation.
- 2.8 Submission of the offer through an agent in Pakistan should be avoided. In case it is considered inevitable, the agent's quotation must invariably be accompanied by the original proforma invoice from the principals/ manufacturers.
- 2.9 Country of origin and port of shipment to be stated.
- 2.10 The offer of principal must clearly indicate whether the rate quoted is inclusive of agent's commission, and if inclusive rate of commission included be specified.
- 2.11 Suppliers will render necessary information regarding hazardous effects on environment, of the materials/products supplied by them, in their quotations and shipping/Dispatch documents.
- 2.12 If the requisite information is not furnished on the T.E form or offer received is not in conformity with the requirement of the T.E such offer shall be ignored.

3. **INSPECTION**

- 3.1 Supplies shall be subject to the inspection and acceptance by the competent inspection authority nominated by the Purchaser, who will arrange it at his own cost, inspection facilities such as tools, test equipment, instruments etc will, however, be provided by the Suppliers in accordance with the relevant specifications.
- 3.2 Where considered necessary by the Purchaser, stores may be obtained on Warranty/Guarantee, subject to inspection on receipt. Rejected stores will be removed and replaced with the acceptable stores by the Supplier at his own expense, within a specified time.

3.3 **TENDER SAMPLE**

Where required offer must accompany tender sample strictly according to the description given in tender Enquiry. Offer not accompanied by tender sample will NOT be entertained excepting the established and reputable firms who have either previously satisfactorily supplied the same or similar stores or have submitted an acceptable samples thereof against previous T.E.

4. **ACCPTANCE OF OFFERS**

4.1.1 The procuring agency may reject all bids or proposals at any time prior to the acceptance of a bid or proposal. The procuring agency shall upon request communicate to any supplier or contractor who submitted a bid or proposal, the grounds for its rejection of all bids or proposals, but is not required to justify those grounds.

4.1.2 procuring agency shall incur no liability, solely by virtue of its invoking sub-rule (1.1) towards suppliers or contractors who have submitted bids or proposals.

4.1.3 Notice of the rejection of all bids or proposals shall be given promptly to all suppliers or contractors that submitted bids or proposals.

4.2 **PERFORMANCE BOND**

(a) The successful bidders will provide Performance Bond at the rate upto 10% of F.O.B. value of contract in favour of the Controller Military Accounts (CMA) POF Wah Cantt. The Performance Bond will be furnished in the form of Deposit At Call Receipt (CDR) from any scheduled Bank in Pakistan or an unconditional bank guarantee on prescribed proforma covered by any scheduled bank in Pakistan. The Performance Bond shall be furnished within 45 days from the date of opening of Letter of Credit. It shall be valid for a period of 12 months after the date of expiry of letter of credit. If the Performance Bond is not furnished within the prescribed time of 45 days, the Purchaser reserves the right to:

i. Impose penalty @ 1 % per month of the value of CDR/BG.

(Clause-4.2 (a i) is not applicable in case of procurement of
Plant / Equipment / Machinery items)

OR

ii. Cancel the contract and make other arrangements for purchase of the stores at the risk and expense of the Supplier.

(b) No Performance Bond will be required if the total FOB value of the contract is less than US\$ 50,000 and contract is placed directly on the foreign Supplier.

4.3 **FAILURE TO SUPPLY THE STORES**

All deliveries must be completed by the specified date. If the failure to deliver the stores within the scheduled time should have arisen from "Force Majeure", which the Purchaser may admit as reasonable ground for further time, he will allow such additional time as he may consider to have been required by the circumstances of the case. Otherwise, he will be entitled, at his discretion, to cancel the contract; and/or, claim liquidated damages upto 2% but not less than 1% of the contract price of the items and their quantities for each and every month or part of a month, beyond the specified delivery date, during which these may not be delivered, subject to a maximum of 10% of the total contract value of particular store which remained unsupplied either in part or in full or, to purchase, from elsewhere, the unsupplied stores at the risk and cost of the Supplier.

4.4 **PAYMENT**

Payment will normally be made by means of irrevocable letter of credit. Unless otherwise stated 90% payment will be released on submission of Dispatch documents to Bank while balance 10% payment will be released on receipt and acceptance of store by the consignee.

All Bank charges incurred in Pakistan in connection with the establishment of L.C. will be borne by the Purchaser, whereas all Bank charges incurred in connection with drawing of payment including charges for confirmation of L.C. by the advising Bank/Foreign Bank will be borne by the Supplier.

5 **SECURITY OF INFORMATION**

The tenderer and his employees must not communicate any information relating to the sale/purchase of stores under this enquiry to any person other than the manufacturer or to any press or agent not authorized in writing by POFs to receive it.

Please return the Schedule to the Tender duly signed by the specified date, alongwith the specifications drawings etc. if any, enclosed herewith - even if you are unable to quote.

WARNING

In case the firm abstain from making offers or fail to return/acknowledge the tender form by the specified date on three consecutive occasions, no further tender enquiry may be issued to them and their names would liable to be removed from the approved list.

Yours faithfully,

MANAGER-PURCHASE
for PAKISTAN ORDNANCE FACTORIES

Tele:

Fax:

E-MAIL ADDRESS: **mdsjl@pof.gov.pk**

PAKISTAN ORDNANCE FACTORIES

SCHEDULE TO TENDER NO. 0022-SJL-FP-48 DATED: 02-05-2018 TO BE OPENED ON 05-06-2018.

(1) **FOR MATERIALS**

(1)	(2)	(3)	(4)	(5)		(6)
Item No.	Description with Specs. etc.	Unit	Qty	Price per Unit FOB or C & F		Delivery Date
				In Figures	In Words	
1.	COPPER CRUSHER GUAGE VOLUME 35CU.CM FOR 122MM (HOW & D-30) & 130MM 'G' HE PDO/H/G-4812	NO	50			

(2) For Plant & Machinery:
Specification:-

(3) **Special Conditions.**

- A. 90 % PAYMENT WILL BE MADE ON SUBMISSION OF SHIPPING DOCUMENTS WHILE REMAINING 10 % PAYMENT WILL BE RELEASED AFTER ACCEPTANCE OF STORE AT POF SANJWAL AND ISSUANCE A CERTIFICATE TO THIS EFFECT BY MD POF SANJWAL.

(4) **Undertaking**

Should our offer be accepted, we hereby undertake to supply the stores/render the services contracted on the basis of General Conditions of Contract embodied in Form POF 1282, and to deposit the performance bond within the prescribed time, failing which it will constitute a breach of contract, and POF will have the right to purchase the stores/services elsewhere at our risk and cost.

Place _____
Date _____
Position _____
Income Tax G.I.R.No. _____

Signatures of the Tenderer _____
Name _____
Address _____

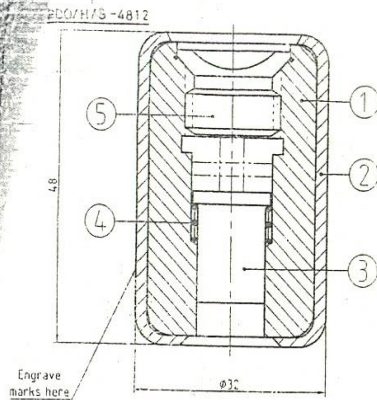
Bid Qualification Criteria - POF Sanjwal

1. Bids must reach in time as per TE opening date & time.
2. Bids money and Tender fee must be attached as mentioned in the TE.
3. Correct nomenclature of the offered goods, quantity, unit rate, drawing & specifications must be clearly mentioned.
4. Bid should be duly signed by the authorized person.
5. Company profile indicating vision, mission, establishment, business details, after sale service, financial health must be attached.
6. Detail of business with POF & POF registration certificate (copy) if registered & the Company / Firm is not in default against any contract with POF.
7. Detail of supply of similar goods to other customers.
8. Delivery period would be clearly mentioned.
9. Performance Bond / CDR (Bank Guaranty) submission confirmation would be mandatory.
10. Confirmation regarding settlement of inspection related issues with the respective inspection agency would have to be made.
11. Export license related a matter is the sole responsibility of supplier & it would not be cause of delay in execution of the contract. Confirmation to this effect has to be made.
12. Confirmation of acceptance of all terms & conditions mentioned in the TE.
13. Proof of ATL, NTN, Professional Tax Certificate & Certificate of registration with FBR.

Finished Parts / Store

The following must be attached with the bid:-

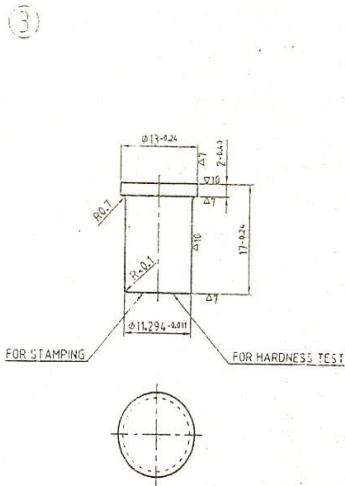
1. It would be confirmed that the drawings & specifications mentioned in the TE would be followed.
2. Specified materials would be utilized.
3. Quality would be as specified.
4. Test data can be made available on request.
5. Any quality issue observed during assembly & use would be addressed.
6. For highlighted quality issues, no rework would be carried out until & unless it is permitted by the buyer.
7. Against reported defects, proper investigation would be carried out and remedial measures notified.
8. Upon request data of similar defects reported in past & remedial measures taken would be presented.
9. No change in design would be carried out.
10. Delivery time would be adhered to.



COPPER CRUSHER GAUGE ASSY

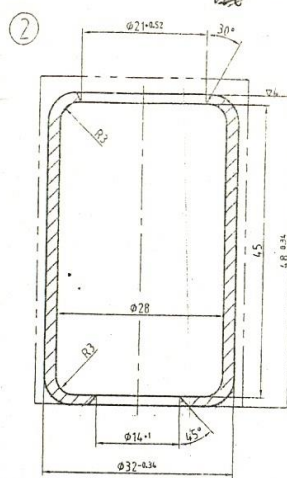
TECHNICAL REQUIREMENTS

- 1 THE CLEARANCE BETWEEN THE PISTON AND THE PISTON HOLE SHALL BE 0.010-0.023 mm
- 2 THE MARKS ENGRAVED SHALL BE SER. No OF CRUSHER GAUGE, CODE OF MANUFACTURER AND YEAR OF MANUFACTURE.
- 3 FINISHED PRODUCTS SHALL BE SUBJECTED TO INSPECTIONS AND FUNCTION ESTIMATION IN PROVING GROUND ACCORDING TO THE W167-66 AND WJ 68-66 SPECIFICATIONS.



TECHNICAL REQUIREMENTS

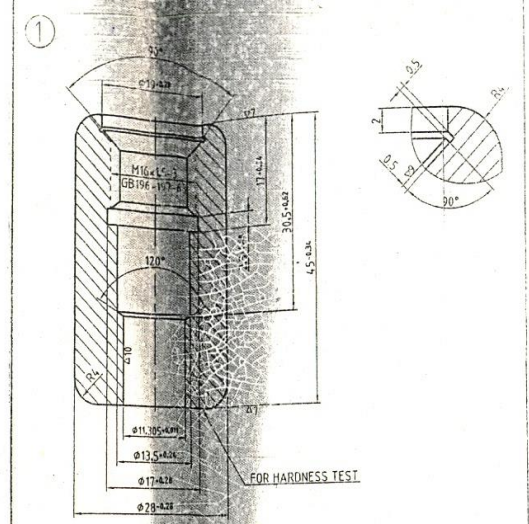
- 1 HARDEN TO HRC= 61-66
- 2 TAPER AND ELLIPTICITY OF ϕ 11.294-0.011 SHALL NOT BE MORE THAN 0.002 MM.
- 3 STAMP WITH SERIAL NUMBER OF CRUSHER GAUGE



TECHNICAL REQUIREMENTS

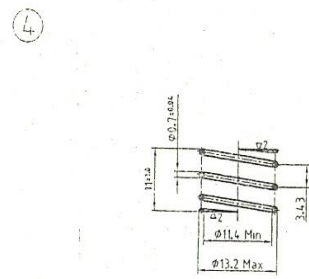
- 1 - - - - INDICATES THE BILLET OF COPPER CASING
- 2 AFTER ASSEMBLING THE BODY IN THE COPPER CASING, DRAW, CRAMP AND THEN MAKE TO THE DIMENSIONS REQUIRED ON THE DRAWING.
- 3 AFTER CRAMPING, THE BODY SHALL BE FIRMLY FIXED IN THE COPPER CASING.

DIMENSIONS ARE IN MM	DATE	ISSUE	AMENDMENTS	SIGN
FIRST ANGLE PROJECTION				



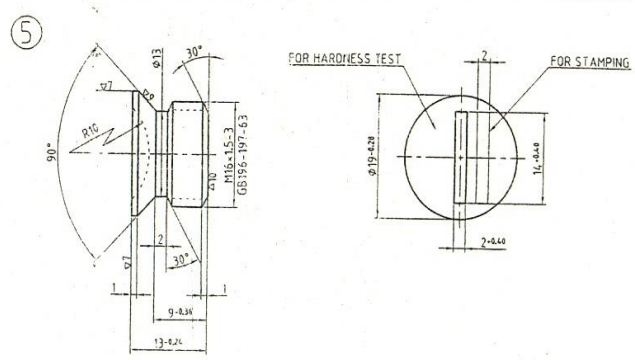
TECHNICAL REQUIREMENTS

- 1 HARDEN TO HRC = 52-57
- 2 SLOPE FORMED BY 90° SHALL BE SNUG FIT WITH THAT ON THE SCREW PLUG
- 3 EDGE OF PISTON HOLE SHALL BE ROUNDED TO LESS THAN R 0.1 MM
- 4 FINISH TO ∇ 5 UNLESS OTHERWISE SPECIFIED.
- 5 TAPER AND ELLIPTICITY OF ϕ 11.305-0.011 SHALL NOT BE MORE THAN 0.003MM



TECHNICAL REQUIREMENTS

- EFFECTIVE NUMBERS OF COILS $n=3$
 TOTAL COILS = $n1 = 3.5 \pm 0.25$
 DIAMETER OF INSPECTION RING (WHEN THE SPRING IS NOT COMPRESSED) $Dc = \phi$ 11.4 MIN
 DIAMETER OF INSPECTION RING (WHEN THE SPRING IS NOT COMPRESSED) $Df = \phi$ 13.2 MAX.
 RIGHT HANDED
 THE SPRING SHOULD BE FREE FROM BURRS AND SHARP EDGES



TECHNICAL REQUIREMENTS

- 1 HARDEN TO HRC = 57-62
- 2 SLOPE FORMED BY 90° SHALL BE SNUG FIT WITH THAT ON THE BODY
- 3 STAMP WITH SERIAL NUMBER OF CRUSHER GAUGE
- 4 FINISH TO ∇ 5 UNLESS OTHERWISE SPECIFIED

PROVISIONALLY APPROVED BY: *[Signature]*
 DATE: 26/06/2013

QTY	NO	DESCRIPTION	MATERIAL	HEAT TREATMENT
1	1	SCREW TOP	ROUND STEEL 21-60 708-66 GCR15-YB 9-59	
1	1	SPRING	STEEL WIRE 11-07 YB 248-64	
3	1	PISTON	ROUND STEEL 15-GB 905-66 GCR15-YB 9-59	
2	1	COPPER SLEEVE	COPPER BAR T4-M-GRADE 7-66-YB 156-64 30-GB 905-66 GCR15-YB 9-59	
1	1	BODY	ROUND STEEL 21-60 708-66 GCR15-YB 9-59	

DEI NO	NO OFF	DESCRIPTION	MATERIAL	HEAT TREATMENT
		DRAWN - SHAKIR KHATTAK	CHECKED - <i>[Signature]</i>	APPROVED - <i>[Signature]</i>

COPPER CRUSHER GAUGE
 35 CM³ FOR PROOFING OF 122 MM & 130 MM AMMO
 SCALE - 2 : 1 SHEET 1 OF 1 UN-TOL DIMNS TO P.A.D NOTE SHEET No 3 DATE - 15 - 3 - 2013

WT-902
 PDO/H/G-4812
 PDO - POF - S JL