



POF 1262-A  
(INDIGENOUS SUPPLIES)

**Government of Pakistan  
PAKISTAN ORDNANCE FACTORIES  
TENDER ENQUIRY**

To

M/s

---

---

---

---

Dear Sirs,

Reference : TENDER ENQUIRY NO. 0024/DS/LP/47

DATED 21-OCT-17

You are requested to submit sealed quotations for the item(s) noted in the Schedule to the Tender. Offer should be sent duly sealed in an envelope. Please note the following instructions for filling the tender:-

**1. SUBMISSION OF TENDER**

- 1.1 Tenders will be opened at 1230 hours on 16-NOV-17 and must reach this office on or before 1200 Hours up to the due date. The tender received late will not be entertained. You may witness the opening of the tender if you so desire. If a representative is deputed, he should bring a letter of authority from you.
- 1.2 Only one tender should be included in one envelope. The outside of the envelope should be inscribed with:-

**Tender Enquiry No:** 0024/DS/LP/47  
**Tender to be opened on:** 16-NOV-17  
**Address as follows:-**

**MANAGER PURCHASE SERVICES**

**POF WAH CANTT.**

- 1.3 If envelope does not indicate reference of T.E or received late the same may be returned un-opened.

**2. GENERAL INSTRUCTIONS REGARDING PREPARATION OF QUOTATIONS**

2.1 For materials, the prices should be filled in column 5 and delivery date in column 6 of the schedule to this Tender Enquiry. The undertaking should be signed at the bottom of the Schedule which shall form the Quotation. You may use a separate sheet if necessary.

2.2 For Plant and Machinery, you are required to quote in two parts:-

**Part I "Technical Offer":** It should exclusively give technical details and literatures/brochures of the offered plant, machinery and equipment; validity date; delivery schedule; and signed undertaking given on the schedule to this Tender Enquiry. It must not indicate price, costs etc.

Cont....P-2

**Part II "Commercial Offer":** It should indicate the commercial terms e.g. price, terms of payment, mode of payment, mode of supply.

Each part should be placed in a separate sealed cover. The envelopes should be inscribed with: Part I "Technical Quotation without Price" and Part II "Commercial Quotation with Price".

- 2.3 The quotation must remain valid for, at least 90 days from the date of opening of tenders.
- 2.4 The quotation should hold good for any reduced or enhanced quantities without notice.
- 2.5 In the event of non-acceptance of offer, intimation may be given to the Tenderers on their request.
- 2.6 Conditional offers or alternative offers are likely to be ignored.
- 2.7 Quotations should be based on:-

F.O.R. station of dispatch basis, i.e. delivered free on rail, inclusive of packing and forwarding charges. The stores will be booked under Military Credit Note, to be provided by the purchaser.

and/or

Free delivery at POF's stores at **WAH CANTT**  
In this case Octroi duty, will be payable by the supplier.

- 2.8 Taxes and Duties etc. where applicable, must be shown separately, quoting references to Registration No. in cases of Sales Tax and relevant authority in the case of others. Offers without these clarifications and inclusive of Taxes and Duties may be ignored.
- 2.9 Taxes and duties levied on or after Tender opening date or on or after the date offer was signed and dispatched will be allowed to include in the offered rates.
- 2.10 "Suppliers will furnish a certificate, issued by Excise & Taxation deptt., that he has cleared all Professional Tax payable by him" offers received without this certificate will be rejected.
- 2.11 Suppliers will render necessary information regarding hazardous effects on environment, of the material/products supplied by them, in their quotations and shipping/dispatch documents.
- 2.12 If the requisite information is not furnished on the T.E forms or offer received is not conformity with the requirement of the T.E such offer shall be

### 3. INSPECTION

3.1 Supplies shall be subject to the inspection and acceptance by the competent inspection authority nominated by the Purchaser, who will arrange it at his own cost. Inspection facilities such as tools, test equipment, instruments etc will, however, be provided by the Suppliers in accordance with the relevant specifications.

3.2 Where considered necessary by the Purchaser, stores may be obtained on Warranty/Guarantee subject to inspection on receipt. Rejected stores will be removed and replaced with the acceptable stores by the Supplier at his own expense, within a specified time.

**4. TENDER FEE**

The tender must be accompanied by a non-refundable fee by means of a crossed postal order/pay order for Rs. 500/- in favour of:

DIRECTOR SERVICES

**4.1 TENDER SAMPLE**

Where required, offer must accompany tender sample., strictly according to the description and specification given in Tender Enquiry. Offer not accompanied by tender sample will NOT be entertained excepting the established and reputable firms who have either previously satisfactorily supplied the same or similar stores or have submitted an acceptable sample thereof against previous T.E.

**5. BID MONEY**

- 5.1 Bid Money at the rate of 2% (for registered firms) and 5% (for unregistered firms) of the quoted value should accompany the tender in the shape of Deposit at Call Receipt/**Pay Order/Banker's Cheque**, from a scheduled Bank drawn in favour of:-

**DIRECTOR SERVICES**

- 5.2 Bid Money of the unsuccessful tenderers will be returned as soon as the scrutiny of the tenders is completed. Bid Money of the successful tenderers will be retained until the contract is finalised. Bid Money will be forfeited in case the quotation is withdrawn before the expiry of its validity date.
- 5.3 State owned organizations are not required to provide Bid Money.

**6. ACCEPTANCE OF OFFERS**

- 6.1 POF may reject all bids or proposals at any time prior to the acceptance of a bid or proposals, but is not required to justify grounds for its rejection. POF Shall incur no liability towards suppliers or contractors who have submitted bids or proposals.

**6.2 PERFORMANCE BOND**

- (a) The successful bidders shall provide performance bond at the rate, prescribed by POF Board according to the value of contract, which should not exceed 10% of contract value in the form of Deposit At Call Receipt from a scheduled Bank; or, an un-conditional Bank Gaurantee valid for 12 months (03 months extendable to 12 months in case of cloth items required by Clothing Fy.)after receipt of store in POFs on a prescribed format. The performance Bond will be in favour of CMA(POF) Wah Cantt. It will be returned on satisfactory completion of contract.
- (b) If the Supplier fails to furnish the Performance Bond within the specified time, such failure will constitute a breach of the contract and the Purchaser shall be entitled to make other arrangements for purchase of the stores at the risk and expense of the Supplier.

6.3 Performance Bond from State owned organizations may be waived off at the discretion of the Purchaser.

6.4 **FAILURE TO SUPPLY THE STORES**

All deliveries must be completed by the specified date. In case of failure to deliver the stores within the scheduled time should have arisen from "Force Majeure", which the purchaser may admit as reasonable ground for further time, he will allow such additional time as he may consider to have been required by the circumstances of the case. Otherwise, he will be entitled, at his discretion, to cancel the contract; and/or claim liquidated damages upto 2% but not less than 1% of the contract price of the items and their quantities for each and every month or part of a month, beyond the specified delivery date, during which these may not be delivered, subject to a maximum of 10% of the total contract value of the particular stores which remained unsupplied either in part or in full: or, to purchase from elsewhere, the unsupplied stores at the risk and cost of the supplier.

6.5 **PAYMENT**

Payment will be made by the CMA(POF) through crossed cheque on receipt/ acceptance of stores on our prescribed bill form supported by receipt voucher on part/full supply basis.

(a) Payment of duties/Taxes including professional tax (where applicable) must be supported by proof of having paid these to concerned Govt. Taxation Deptt.

7. **SECURITY OF INFORMATION**

The tenderer and his employees must not communicate any information relating to the sale/purchase of stores under this enquiry to any person other than the manufacturer or to any press or agent not authorised in writing by POFs to receive it.

Please return the Schedule to the Tender duly signed by the specified date, along with the specifications, drawings etc. if any, enclosed herewith - even if you are unable to quote.

**WARNING** In case the firm abstain from making offers or fail to return/ acknowledge the tender form by the specified date on three consecutive occasions, no further tender enquiry may be issued to them and their names would liable to removed from the approved list.

Yours faithfully

**MUHAMMAD SHAHID SIDDIQUE**  
for **MANAGER PURCHASE SERVICES**  
~~MANAGER PURCHASE SERVICES~~

## PAKISTAN ORDNANCE FACTORIES

SCHEDULE TO TENDER NO. 0024/DS/LP/4721-OCT-17**(1) FOR MATERIALS**

(1)	(2)	(3)	(4)	(5)		(6)
Item No.	Description with Specs. etc.	Unit	Qty	Price Per Unit FOR or free delivery		Delivery Date
				In Figures	In Words	

**Indent No. 0122/LP/DS/46 Dated 08-08-2016**

1 Rubber Lining of Injector for Starvation Vessel (As Per drawing attached) For Demin Plant Sulphuric Acid Dilution up to 30%

NO

4

i.Unreinforced Vulcanised Natural or Synthetic Acid resisting Rubber  
ii.Shore Hardness 60-75 Degree  
B.S or equivalent

2 Rubber Lining of Injector for Cation Vessel (As Per drawing attached) For Demin Plant Sulphuric Acid Dilution up to 30%

NO

4

i.Unreinforced Vulcanised Natural or Synthetic Acid resisting Rubber  
ii.Shore Hardness 60-75 Degree  
B.S or equivalent

**Indent No. 0169/LP/DS/46 Dated 29-09-2016**

3 IMPELLER FOR EXTRACTION PUMP FOR DEAERATOR PUMP

NO

2

Material: Stainless Steel  
Pump Specification:  
Pump RPM: 960  
Head: 27 Meter  
Make: Hick Hargreaves & Co Ltd England or equivalent.  
Drawing No.  
POF/D-30-S/50  
PAK

(2) For Plant & Machinery:  
Specification:-

**(3) Special Conditions**

- 1 Indicate the Model, Name of the Manufacturer, Country of Origin and also provide the Technical Brochure of the Material/Products being offered.
- 2 Breakdown of rates be given showing price and sales tax separately otherwise rates will be consider inclusive of GST.
- 3 Quotation may be submitted if you are registered with sales tax department. Only registered suppliers (with Sales Tax & Income Tax Dept), who are on Active Taxpayers List (ATL) of FBR are eligible to supply goods/services to Govt. Deptt. if any registered supplier is not in ATL, his payment would be stopped till he files his mandatory returns and appears on ATL of FBR. Sales Tax Registration number may also be indicated in your offer.
- 4 Govt. & Semi Govt. departments detailed in para 8 of CBR letter No.1/10-stb/98 dt.12-06-98 are not required to be registered since they are not involved in any taxable activity. So registered supplier shall pay sales tax at the standard rate i.e. 17%.
- 5 The supplier will provide the requisite CDR alongwith the complete Mailing Address, Telephone No, Fax No, E-Mail and branch code of the issuing bank and in addition for

PAKISTAN ORDNANCE FACTORIES

SCHEDULE TO TENDER NO. 0024/DS/LP/47

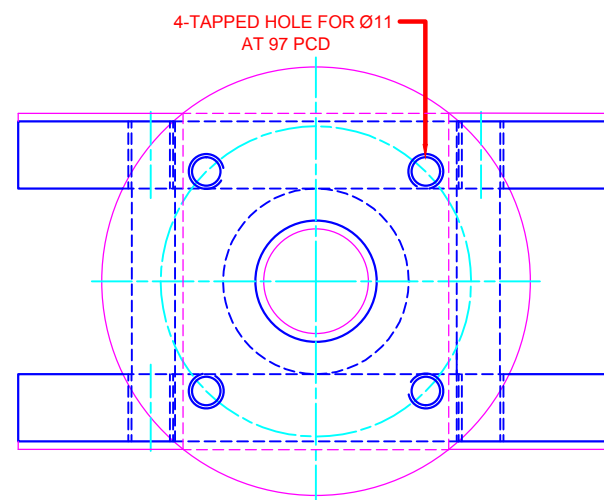
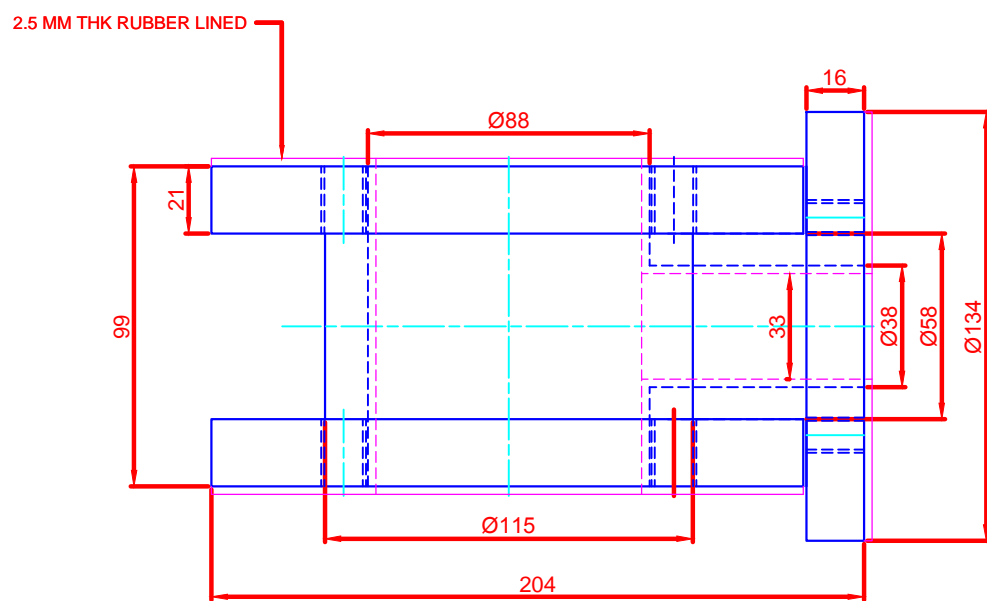
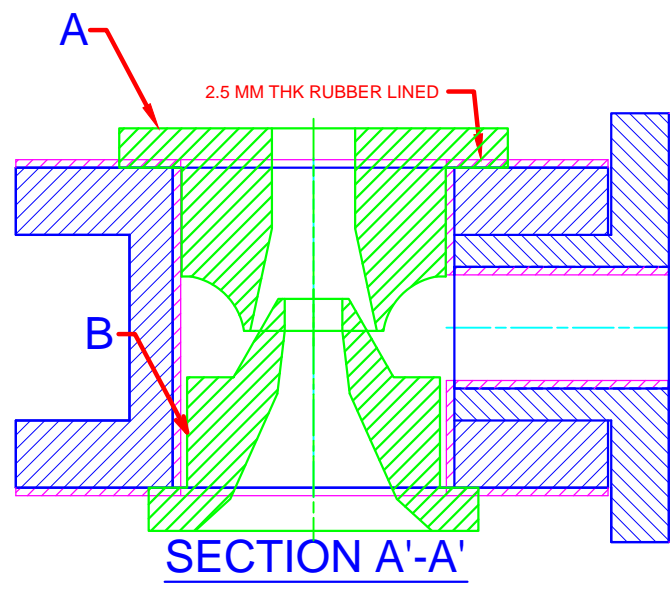
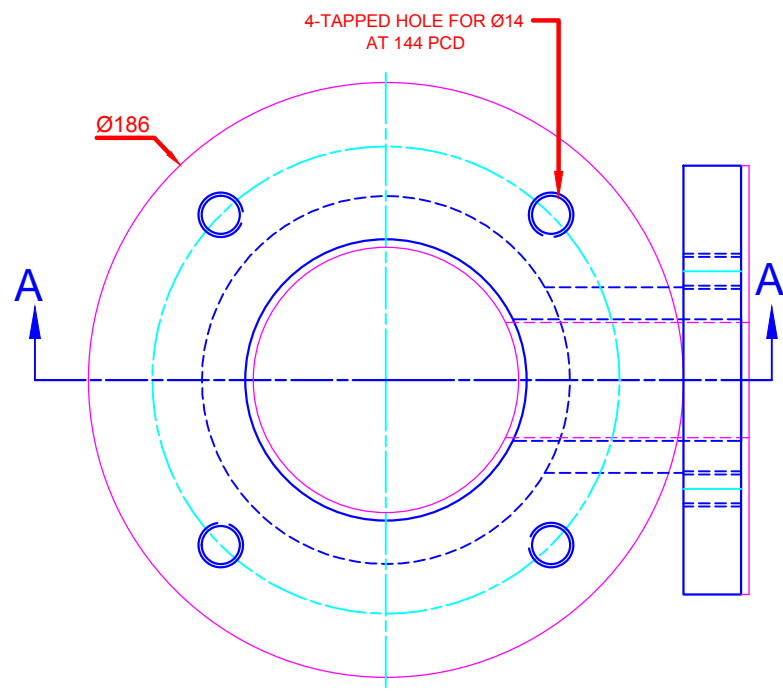
21-OCT-17

Distt./Zonal office of the same bank.

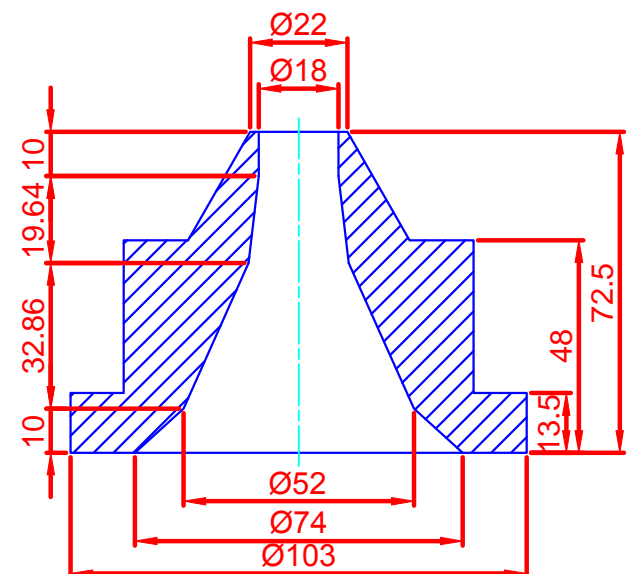
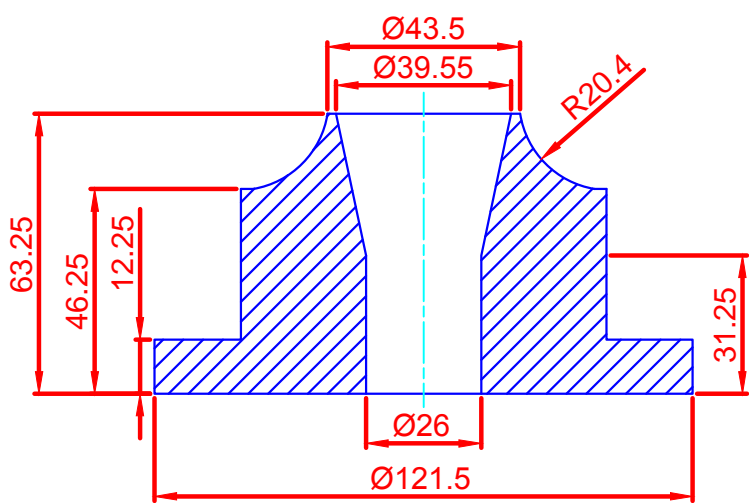
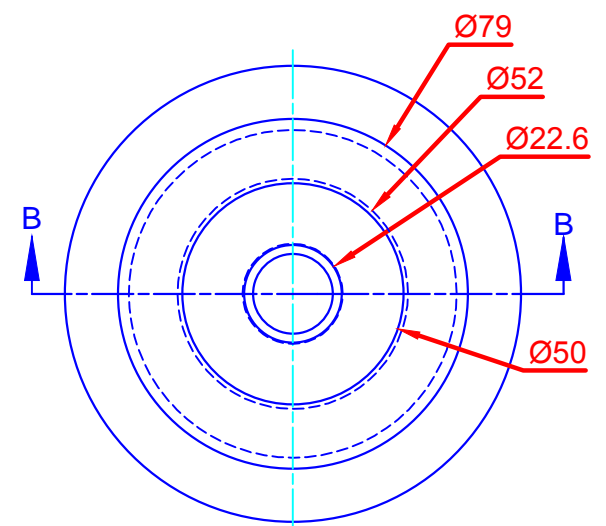
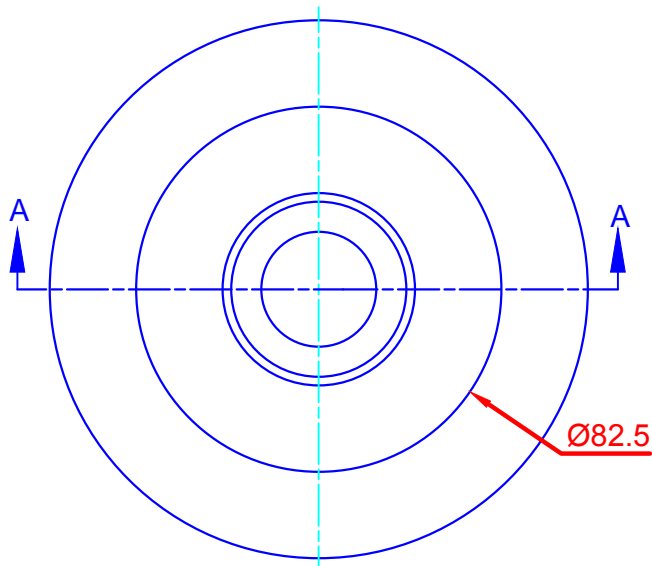
**(4) Undertaking**

Should our offer be accepted, we hereby undertake to supply the stores/render the services contracted on the basis of General Conditions of Contract embodied in Form POF 1281, and to deposit the performance bond within the prescribed time, failing which it will constitute a breach of contract, and POF will have the right to purchase the stores/services elsewhere at our risk and cost.

<b>Place</b> _____	<b>Signature of the Tenderer</b> _____
<b>Date</b> _____	<b>Name</b> _____
_____	<b>Position</b> _____
_____	<b>Address</b> _____
	<b>Income Tax G.I.R. No</b> _____
	<b>Official Stamp</b> _____



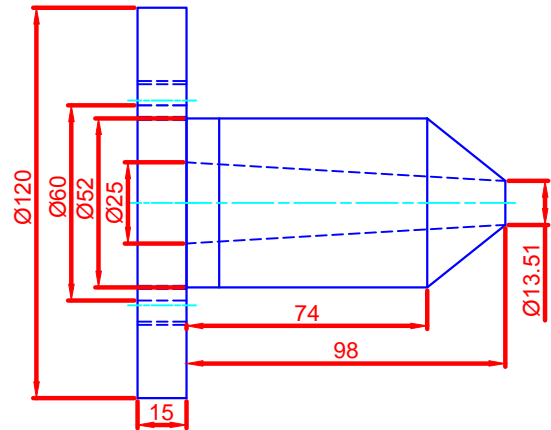
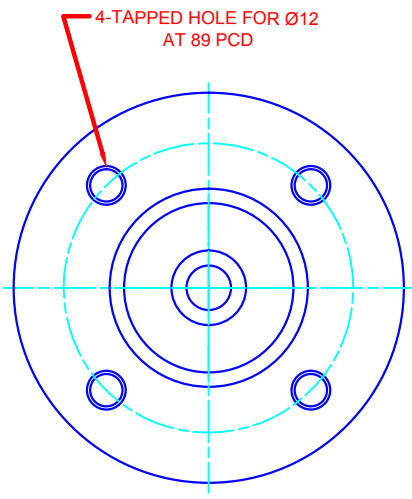
**INJECTOR FOR STARVATION PLANT**



**SECTION A'-A'**  
**DETAIL -A**

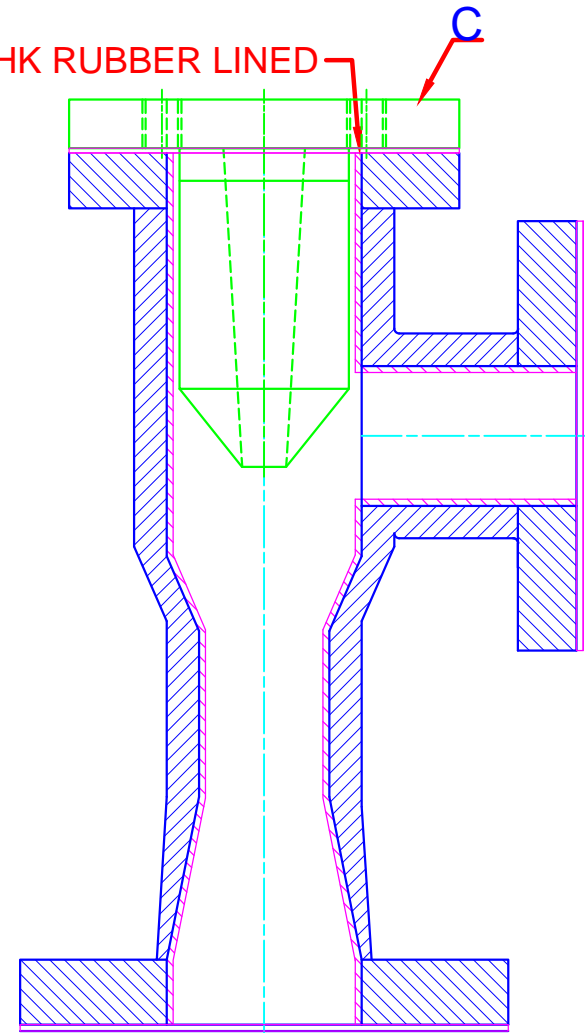
**INJECTOR CONE FOR STARVATION PLANT**

**SECTION B'-B'**  
**DETAIL-B**

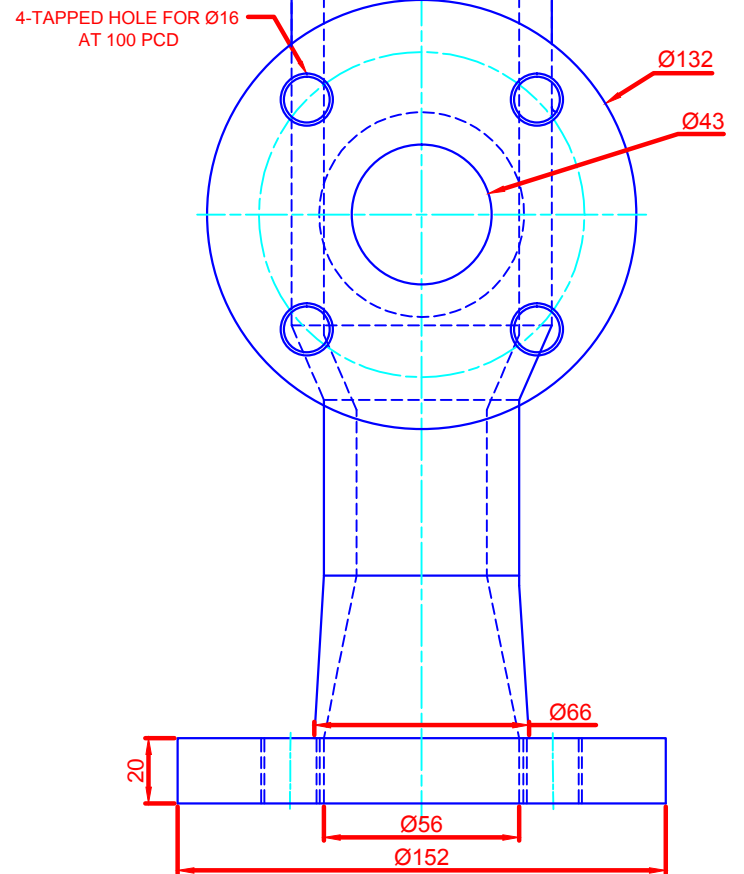
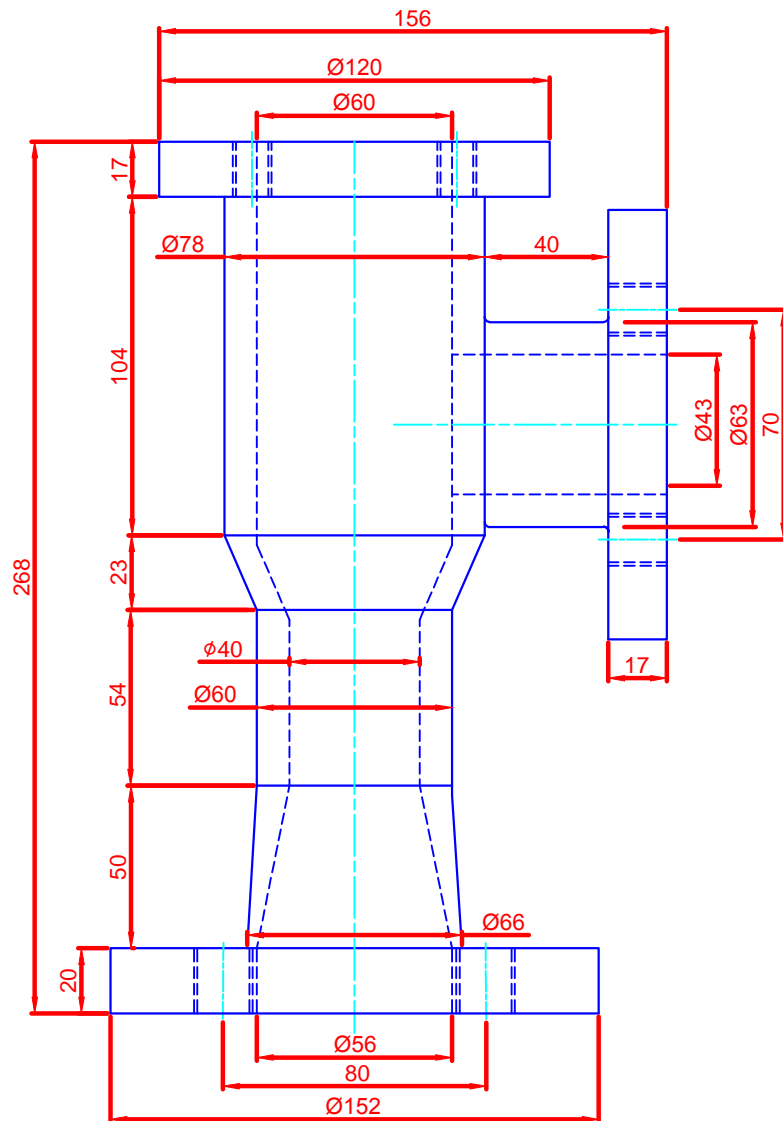
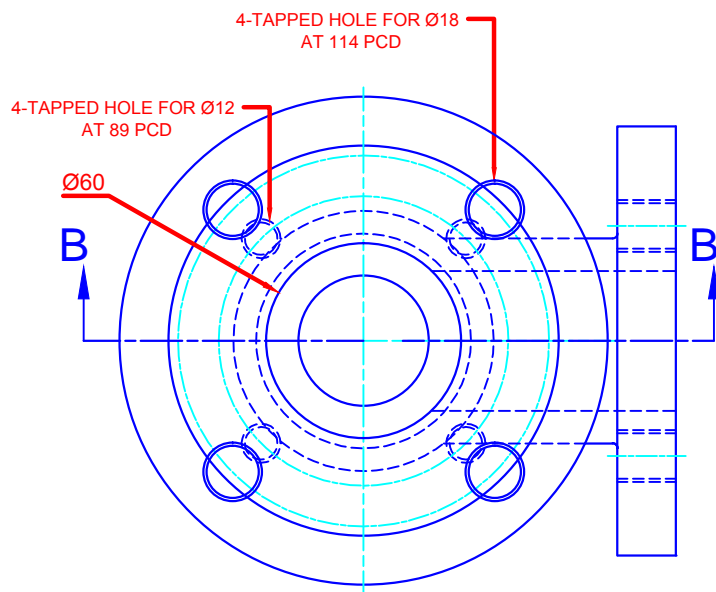


**DETAIL-C**

2.5 MM THK RUBBER LINED



**SECTION B'-B'**



**INJECTOR OF CATION VESSEL FOR  
DEMIN PLANT I & II**



# BOILER IMPELLER FOR DE-AERATOR D-30 (POWER HOUSE)

