

GOVERNMENT OF PAKISTAN
PAKISTAN ORDNANCE FACTORIES
TENDER ENQUIRY.

To
M/s _____

Dear Sirs,

Reference: TENDER ENQUIRY NO. **16-FP-Capt-47-Centrifugal Pumps-D&P(Mech)**
Dated 24-4-2018

You are requested to submit quotations for the items(s) noted in the Schedule to the Tender. Offers should be sent duly sealed in an envelope. Please note the following instructions for filling the tender:-

1. **SUBMISSION OF TENDER**

1.1 Tenders will be opened at **1130 hours** on **05-6-2018** and must reach this office on or before **1100 hour upto due date**. The tender received late will not be entertained. You may witness the opening of the tender if you so desire. If a representative is deputed, he should bring a letter of authority from you.

1.2 Only one tender should be included in one envelope. The outside of the envelope should be inscribed with:-

Tender Enquiry No: **16-FP-Capt-47-Centrifugal Pumps-D&P (Mech)**
Dated 24-4-2018

Tender to be opened on: **05-6-2018**

Address as follows:- Director Service, Pakistan Ordnance Factories Wah Cantt –
47040 Pakistan

Tele: +92-51-9055-21090

Fax: +92-51-9271400, 9314100

1.3 If envelope does not indicate reference of T.E or received late the same may be returned un-opened.

2. **GENERAL INSTRUCTIONS REGARDING PREPARATION OF QUOTATIONS**

2.1 For materials, the prices should be filled in column 5 and delivery date in column 6 of the schedule to this Tender Enquiry. The undertaking should be signed at the bottom of the Schedule which shall form the Quotation. You may use a separate sheet if necessary.

2.2 For Plant and Machinery, you are required to quote in two parts:-

Part I **"TECHNICAL OFFER"** It should exclusively give technical details and literatures/brochures of the offered plant, machinery and equipment; validity date; delivery schedule; and signed undertaking given on the schedule to this Tender Enquiry. It must not indicate price, costs etc.

Part II **"COMMERCIAL OFFER"** It should indicate the commercial terms e.g. price, terms of payment, mode of payment, mode of supply.

Each part should be placed in a separate sealed cover. The envelopes should be inscribed with: Part I "Technical Quotation without price" and Part II "Commercial Quotation with Price."

- 2.3 The quotation must remain valid for, at least 120 days from the date of opening of tenders.
- 2.4 The quotation should hold good for any reduced or enhanced quantities without notice.
- 2.5 In the event of non-acceptance of offer, intimation may be given to the tenderers on their request.
- 2.6 Conditional offers or alternative offers are likely to be ignored.
- 2.7 Quotations should be based on F.O.B. The consignment will be shipped through Pakistan National Shipping Corporation (PNSC). In case there is no PNSC service in the country of shipping, please quote on C & F basis. The freight should be indicated separately. Insurance premium should not be included in the quoted price. However where insurance is considered necessary, advice to that effect should be given in the quotation.
- 2.8 Submission of the offer through an agent in Pakistan should be avoided. In case it is considered inevitable, the agent's quotation must invariably be accompanied by the original proforma invoice from the principals/ manufacturers.
- 2.9 Country of origin and port of shipment to be stated.
- 2.10 The offer of principal must clearly indicate whether the rate quoted is inclusive of agent's commission, and if inclusive rate of commission included be specified.
- 2.11 Suppliers will render necessary information regarding hazardous effects on environment, of the materials/products supplied by them, in their quotations and shipping/Dispatch documents.
- 2.12 If the requisite information is not furnished on the T.E form or offer received is not in conformity with the requirement of the T.E such offer shall be ignored.

3. **INSPECTION & TRAINING**

3.1.1 **Pre-Shipment Inspection (PSI):**

Pre-shipment inspection including Bed Test to confirm the specified parameters i.e flow, head, Power consumption and efficiency will be arranged at manufacturer premises by the firm. Firm will bear all expenses of PSI & training including air tickets, boarding/lodging, inland transportation & 30% D.A of 06 POF officials.

3.1.2 **Training:**

Firm will arrange 07-days training regarding operation & maintenance of pumps at manufacturer premises. PSI officials will attend the training. Firm will arrange the training during PSI period. Training content should cover the complete detail regarding operation and maintenance of pumps.

- 3.2 The final inspection and performance test of pumps will be carried out jointly by POF's & supplier's Engineers at site in POF Wah Cantt Pakistan. Inspection facilities such as tools, test equipment's, instruments etc will be arranged by the supplier in accordance with relevant specifications.
- 3.3. The store will be accepted on supplier's warranty / guarantee subject to inspection on receipt. Rejected store will be replaced with the acceptable store by the supplier at his own expenses, within a specified time.

3.4 **TENDER SAMPLE**

Where required offer must accompany tender sample strictly according to the description given in tender Enquiry. Offer not accompanied by tender sample will NOT be entertained

excepting the established and reputable firms who have either previously satisfactorily supplied the same or similar stores or have submitted an acceptable samples thereof against previous T.E.

4. **ACCEPTANCE OF OFFERS**

4.1.1 The procuring agency may reject all bids or proposals at any time prior to the acceptance of a bid or proposal. The procuring agency shall upon request communicate to any supplier or contractor who submitted a bid or proposal, the grounds for its rejection of all bids or proposals, but is not required to justify those grounds.

4.1.2 Procuring agency shall incur no liability, solely by virtue of its invoking sub-rule (1.1) towards suppliers or contractors who have submitted bids or proposals.

4.1.3 Notice of the rejection of all bids or proposals shall be given promptly to all suppliers or contractors that submitted bids or proposals.

4.2 **PERFORMANCE BOND**

(a) The successful bidders will provide Performance Bond at the rate upto 10% of F.O.B. value of contract in favour of the Controller Military Accounts (CMA) POF Wah Cantt. The Performance Bond will be furnished in the form of Deposit At Call Receipt (CDR) from any scheduled Bank in Pakistan or an unconditional bank guarantee on prescribed proforma covered by any scheduled bank in Pakistan. The Performance Bond shall be furnished within 45 days from the date of opening of Letter of Credit. It shall be valid for a period of 24 months after the date of expiry of letter of credit. If the Performance Bond is not furnished within the prescribed time of 45 days, the Purchaser reserves the right to cancel the contract and make other arrangements for purchase of the stores at the risk and expense of the Supplier.

(b) No Performance Bond will be required if the total FOB value of the contract is less than US\$ 50,000 and contract is placed directly on the foreign Supplier.

4.3 **FAILURE TO SUPPLY THE STORES**

All deliveries must be completed by the specified date. If the failure to deliver the stores within the scheduled time should have arisen from "Force Majeure", which the Purchaser may admit as reasonable ground for further time, he will allow such additional time as he may consider to have been required by the circumstances of the case. Otherwise, he will be entitled, at his discretion, to cancel the contract; and/or, claim liquidated damages upto 2% but not less than 1% of the contract price of the items and their quantities for each and every month or part of a month, beyond the specified delivery date, during which these may not be delivered, subject to a maximum of 10% of the total contract value of particular store which remained unsupplied either in part or in full or, to purchase, from elsewhere, the unsupplied stores at the risk and cost of the Supplier.

4.4 **PAYMENT**

4.4.1 Payment will normally be made by means of irrevocable letter of credit. Scheduled of payment is as under:

- i) 60% Payment will be released against shipment on submission of shipping documents and pre shipment inspection (PSI) certificate to the Bank.
- ii) 20% Payment will be released after the successful inspection of the complete store at site in the presence of Supplier's rep.
- iii) 20% Payment will be released after satisfactory performance test of each unit.

4.4.2 All Bank charges incurred in Pakistan in connection with the establishment of L.C. will be borne by the purchaser, whereas all Bank charges incurred in connection with drawing of payment including charges for confirmation of L.C. by the advising Bank / Foreign Bank will be borne by the

Supplier.

5 **SECURITY OF INFORMATION**

The tenderer and his employees must not communicate any information relating to the sale/purchase of stores under this enquiry to any person other than the manufacturer or to any press or agent not authorized in writing by POFs to receive it.

Please return the Schedule to the Tender duly signed by the specified date, alongwith the specifications drawings etc. if any, enclosed herewith - even if you are unable to quote.

WARNING

In case the firm abstain from making offers or fail to return/acknowledge the tender form by the specified date on three consecutive occasions, no further tender enquiry may be issued to them and their names would liable to be removed from the approved list.

Yours faithfully,

(REHAN WAHEED KHAN)

Director Services

PAKISTAN ORDNANCE FACTORIES

Wah Cantt

Tele: +92-51-9055-21090

Fax: +92-51-9271400, 9314100

e. mail: dirser.pof@gmail.com

**PAKISTAN ORDNANCE FACTORIES
SCHEDULE TO**

TENDER NO. 16-FP-Capt-47-Centrifugal Pumps-D&P (Mech) Dated 24-4-2018

(1) **FOR MATERIALS**

(1)	(2)	(3)	(4)	(5)		(6)
Item No.	Description with Specs etc.	Unit	Qty	Price per unit F.O.B/C&F Karachi		Delivery date
				In figures	In words	
i.	Centrifugal pumps (Horizontal type) capacity 10 cusec with electric motor fitted on same bed.	No	03			

(2) **For Plant & Machinery:**

Specification:- attached

(3) **Special Conditions:**

(4) **Undertaking**

Should our offer be accepted, we hereby undertake to supply the stores/render the services contracted on the basis of General Conditions of Contract embodied in Form POF 1282, and to deposit the performance bond within the prescribed time, failing which it will constitute a breach of contract, and POF will have the right to purchase the stores/services elsewhere at our risk and cost.

Place _____
Date _____

Signature of the Tenderer _____
Name _____
Position _____
Address _____
Income Tax G.I.R No. _____
Official stamp.

SPECIFICATIONS FOR 10 CUSEC CENTRIFUGAL PUMP WITH MOTOR AND STAR DELTA STARTER. QTY.03 NOS

1.	Nomenclature	10 Cusec Centrifugal Pump with Electric Motor & Star Delta Starter.
2.	Recommended manufacturer	M/s KSB Germany, M/s Grundfos , M/s Mather & Platt or equivalent manufacture from EU, UK & USA
3.	Capacity	10 Cusec
4.	Type	Split casing Centrifugal Pump (Horizontal)
5.	Discharge Head	200 feet
6.	Suction Lift	15 ft
7.	Suction Size	15" or as per pump suction design
8.	Delivery Size	12" or as per pump delivery design
9.	Pump Impeller	S.S preferable or Bronze as per European Standard (DIN,EN)
10.	Impeller Shaft	S.S 20Cr13 or Equivalent as per European standard (DIN,EN)
11.	Bearing Housing	Cast iron HT250 or equivalent as per European Standard DIN,EN)
12.	Shaft Seal	Gland packing / mechanical seal
13.	Foot Valve	As per Mfg. design, Country of origin EU, UK, USA
14.	Non return valve 12" dia with Seat at 15°,PN16 or suitable with delivery line of pump PN16	Country of origin EU, UK, USA
15.	Actuator driven Motorized Control Sluice valve 12" dia or as per delivery line of pump synchronized with pump on auto mode, PN16	Country of origin EU, UK, USA
16.	Pressure gauge: i. Dial size 10" dia ii. Pressure 100 PSI	Country of origin EU, UK, USA
17.	Media	Clean Water specs attached as Annexure B. (PH 6.9-7.1)

18. **ELECTRIC MOTOR WITH STAR DELTA STARTER**

Suitable Electric Motor minimum 250 KW / 4 P
(Make – SIEMENS or equivalent of origin EU,UK,USA, efficiency class IE3)
Capable to operate at ambient temperature of 51 Degree Celsius.

19. **ELECTRIC SUPPLY.** 400 Volt ± 5%, three Phase, 50 Hz AC

20. **MOTOR CONTROL UNIT**

MAKE/SPECS.

- | | |
|---|---------------------------------|
| ▪ Automatic Star delta starter with Circuit Breaker | Siemens/Schneider |
| ▪ Thermal Overload | Siemens/Schneider |
| ▪ Digital Ammeter & Volt meter with selector switch. | ENTES Turkey, Siemens/Schneider |
| ▪ Digital Voltage monitoring device with over/under voltage relay | Siemens/Schneider |
| ▪ Phase sequence, Phase failure relay and panel indicating lamps. | Siemens/Schneider |
| ▪ Copper bus bar of minimum size | width 1", Thick ¼" |
| ▪ Lockable steel cabinet | One |
| ▪ Panel Louver Fan for ventilation | One |
| ▪ Country of origin of all above items | UK, EU, USA |

21. **SPARES**

- Emergency spares along with price of each item.
- Bearings

	For Pump	06 sets
	For Electric Motor	06 sets
- Mechanical Seals/Gland Cup with Gland packing Material (20 Nos Rolls) 06 sets
- Impeller fitted with shafts 02 sets
- Electric motor 01 No
- Maintenance Tool Kit for overhauling of Pump. 02 sets
List of tools along with item wise price
- Laser Alignment equipment 01 No
- Country of origin (USA, UK, EU)
- Complete list of spares with item wise price with confirmation for supply of Spare parts for at least 10 years

TERMS & CONDITIONS:

CATALOGUE / MANUALS

The firm will provide 02 sets of spares catalogue, Drawings of shaft & Impeller and operation/ maintenance manual for Pump, Elect. Motor and Control unit separately in English language.

INSTALLATION AND COMMISSIONING

Preparation of foundation, Installation of pumps, and jointing with existing network including all required fittings, materials and accessories will be responsibility of supplier/firms. Satisfactory commissioning will be carried out by the supplier. Commissioning will be accepted as satisfactory after continuous running of 168 hours. The commissioning test will be executed at POF site and will also be jointly witnessed by POF and firm representative. Lay out of the existing pumping network is attached at annex 'C'.

BACK UP SERVICE

- i. Firm should have authorized maintenance workshop of OEM in Pakistan having complete maintenance & re-building facilities.
- ii. Firm will share the list/address of installed pumps of same capacity / model in Pakistan.

PRE-SHIPMENT INSPECTION/ TRAINING

i. Pre-Shipment Inspection:

Pre-shipment inspection including Bed Test to confirm the specified parameters i.e flow, head, Power consumption and efficiency will be arranged at manufacturer premises by the firm. Firm will bear all expenses of PSI & training including air tickets, boarding/lodging, inland transportation & 30% D.A of 06 POF officials.

ii. Training:

Firm will arrange 07-days training regarding operation & maintenance of pumps at manufacturer premises. PSI officials will attend the training. Firm will arrange the training during PSI period. Training content should cover the complete detail regarding operation and maintenance of pumps.

iii. Site for installation of pumps can be visited before bidding, if desired.

WARRANTY/GUARANTY

Firm will provide 2-years Warranty/Guaranty for satisfactory operation of pumps, motor, electric panel and all other auxiliary parts/fittings. Warranty/Guaranty will start from the date of successful commissioning of pump. In case of any breakdown of part under warranty/Guaranty firm will arrange to replace the defective parts with new one free of cost.

SPECIFICATIONS

TEST REPORT OF WATER

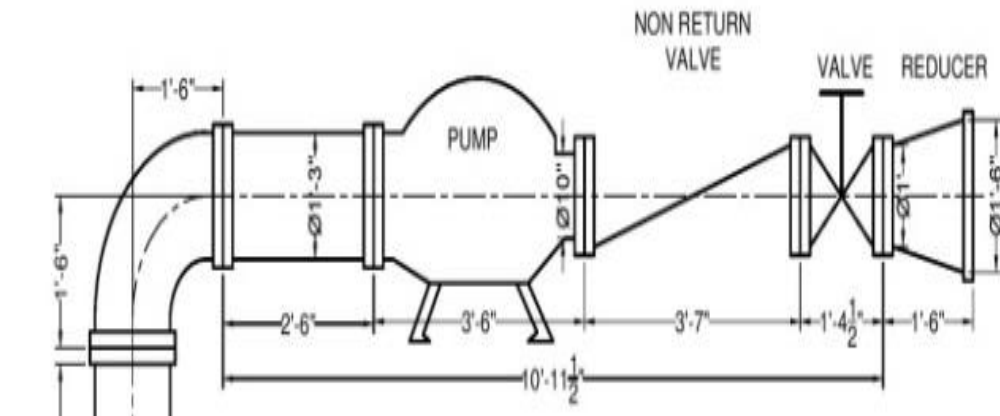
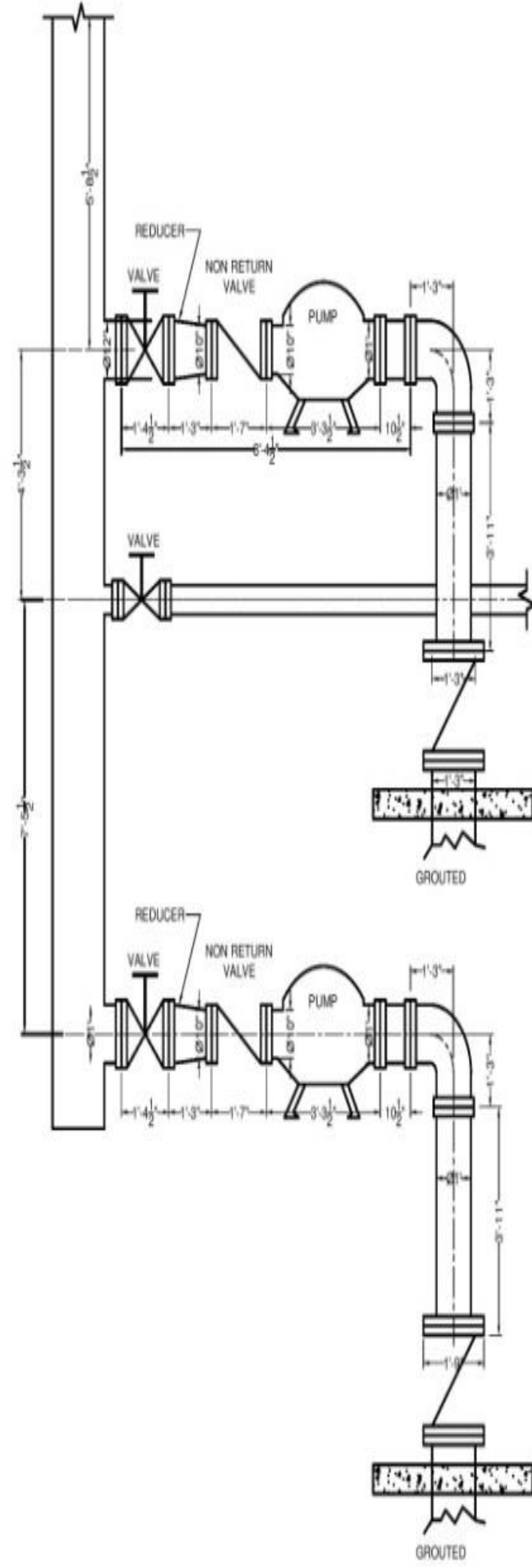
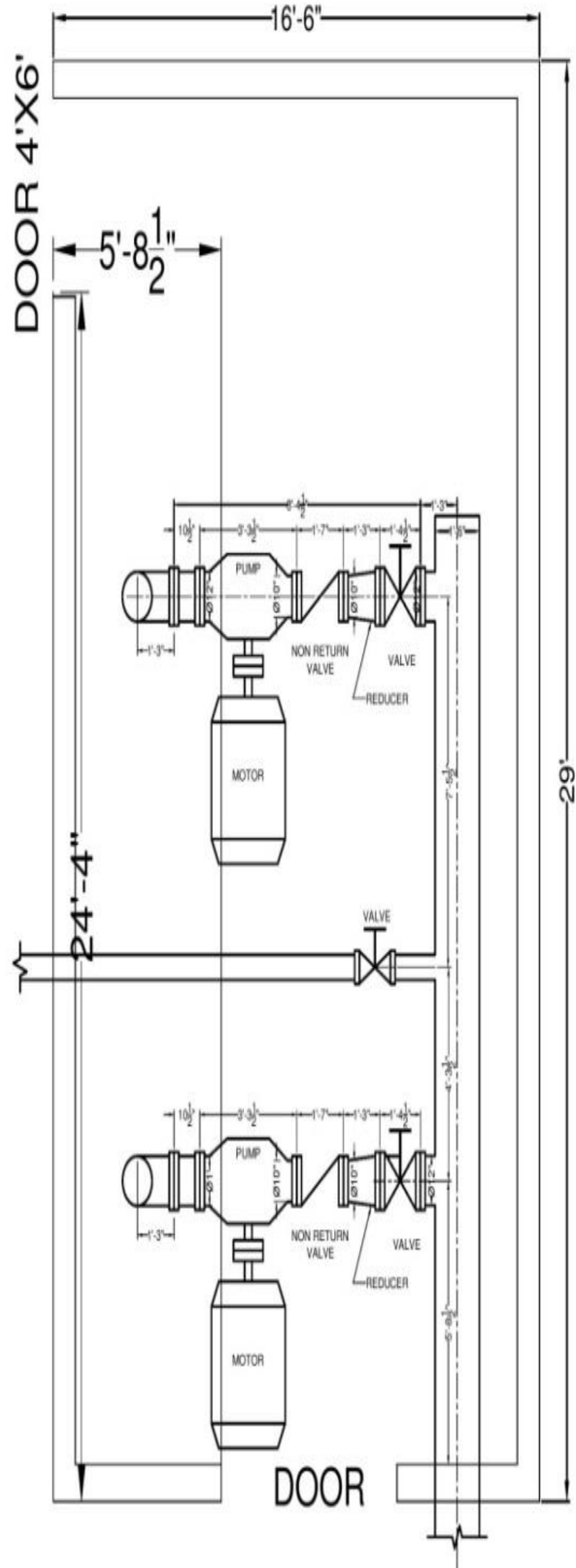
Physical Parameters:

Colour	Colourless
Odour	Odourless
pH	7.3

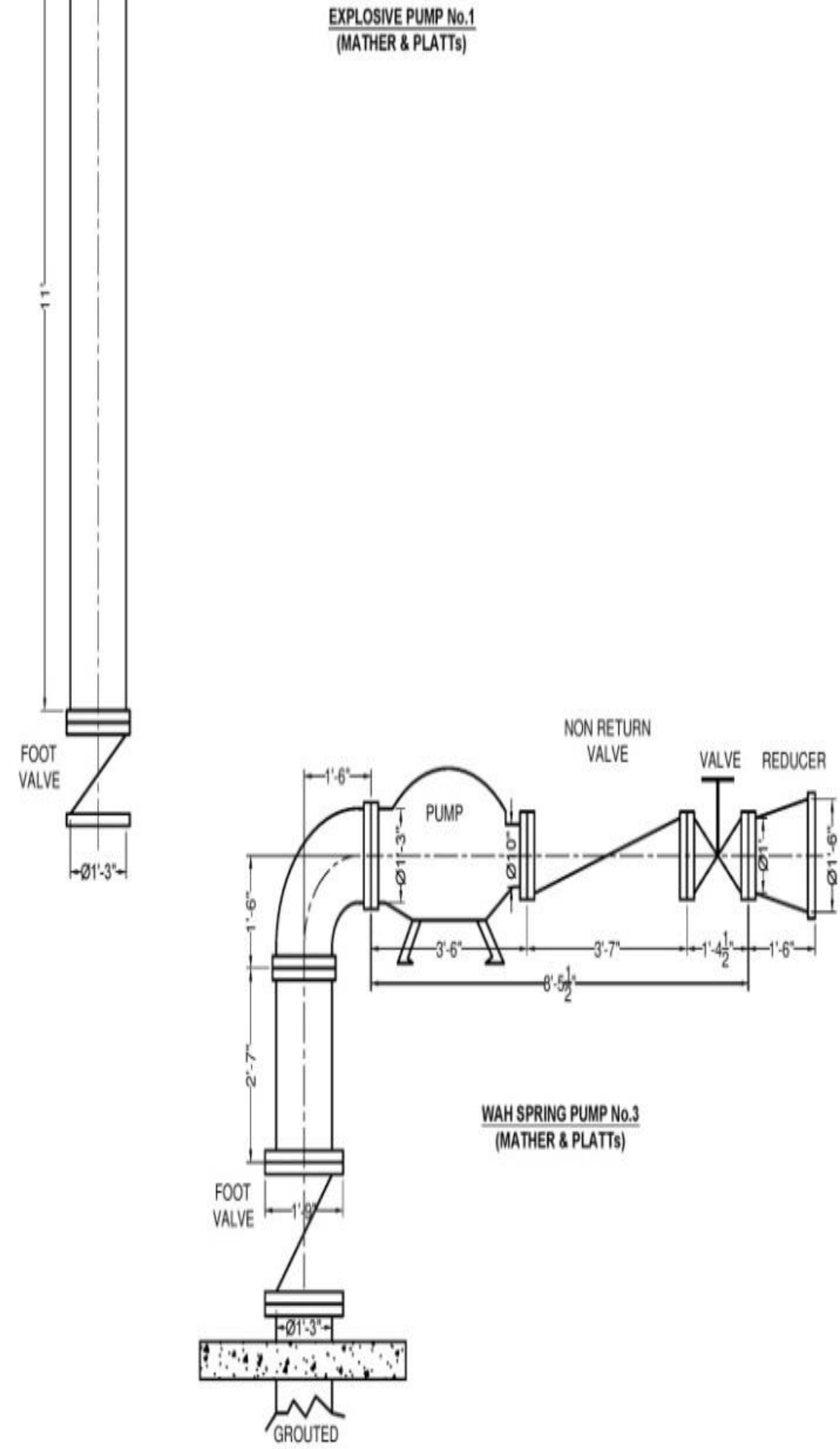
Chemical Parameters:

Nitrite	<0.1
Nitrates	<25
Chloride	<50
Sulphate	58
Magnesium	41
Total hardness	<250
Total dissolved solids	390

LAYOUT OF PUMPS TO BE REPLACED AT WAH SPRING PUMP HOUSE



EXPLOSIVE PUMP No.1
(MATHER & PLATTs)



WAH SPRING PUMP No.3
(MATHER & PLATTs)