



GOVERNMENT OF PAKISTAN
PAKISTAN ORDNANCE FACTORIES
WAH CANTT.

PRE-QUALIFICATION NOTICE

No. 4104-MPO-W-CNC-Bolt Head, dt. 01-11-2017

POF Weapons Factory invites Pre-Qualification documents from foreign OEMs / their authorized suppliers for procurement of the following:-

Description of Machine	Qty.
Bar Feed CNC (Tooled up) Machine for Bolt Head G3A3 & MP5A2 i. Bolt Head G3A3, (Sketch attached). ii. Bolt head MP5A2 (Sketch attached). 1. Rate of production of 100xjobs per shift of 07 hours. 2. Machine should have the capability of CAD/CAM and should be PTC Creo compatible. 3. Solution should come with a tool ware measurement and compensation. 4. All safety devices should be in accordance to international standard. 5. Material for (Bolt head G3A3) = 14Ni Cr14 K+G, Ø30mm. 6. Material for (bolt head MP5A2) = 14Ni Cr14 B6, Ø26mm.	01

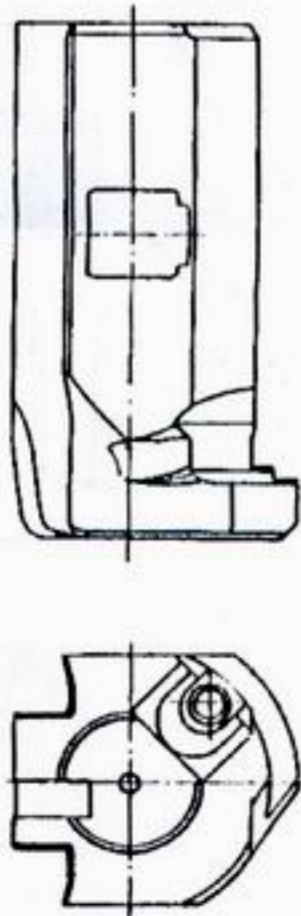
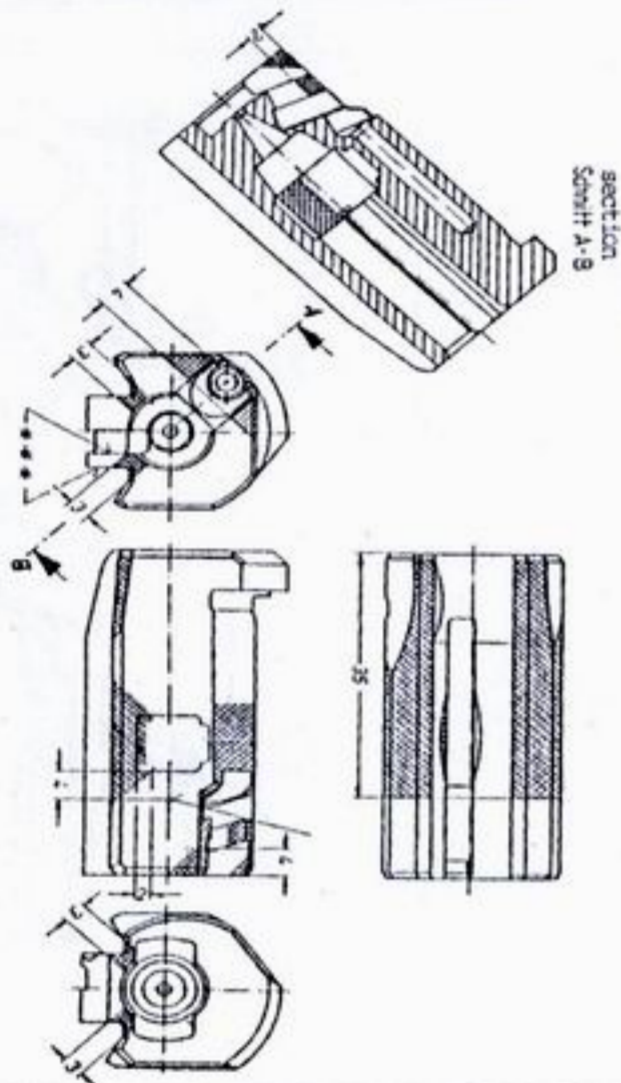
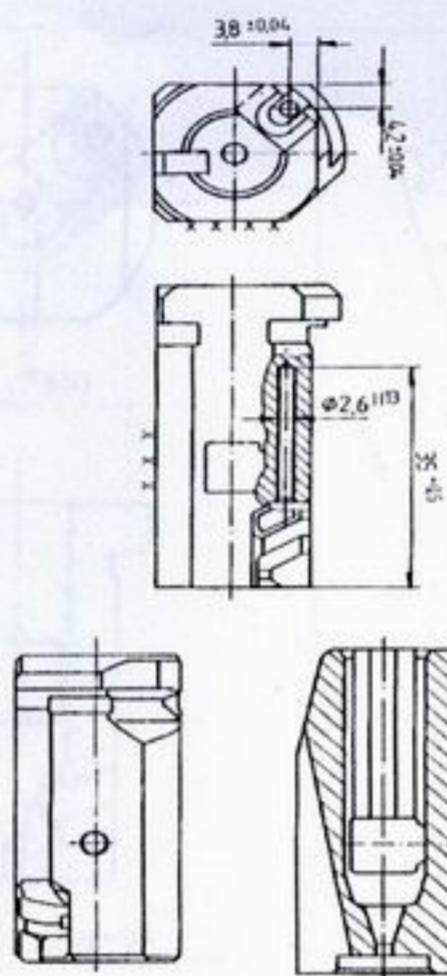
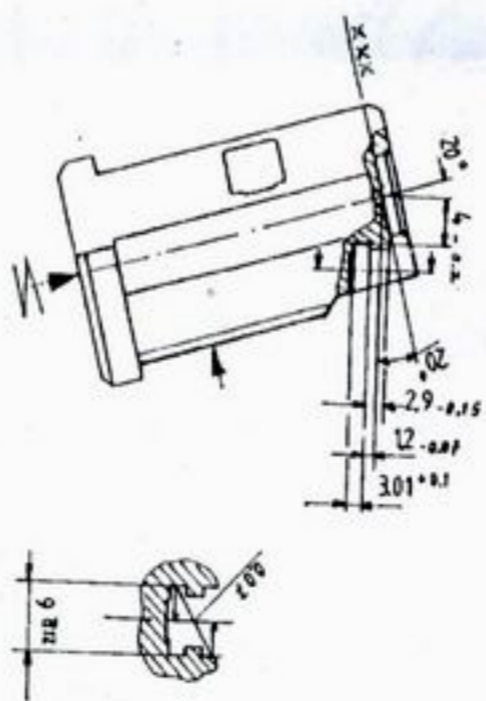
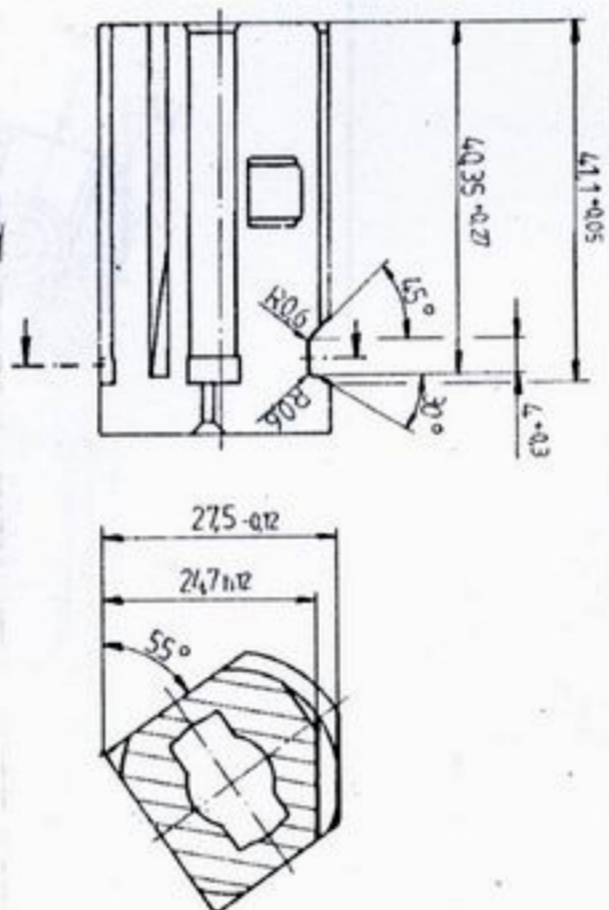
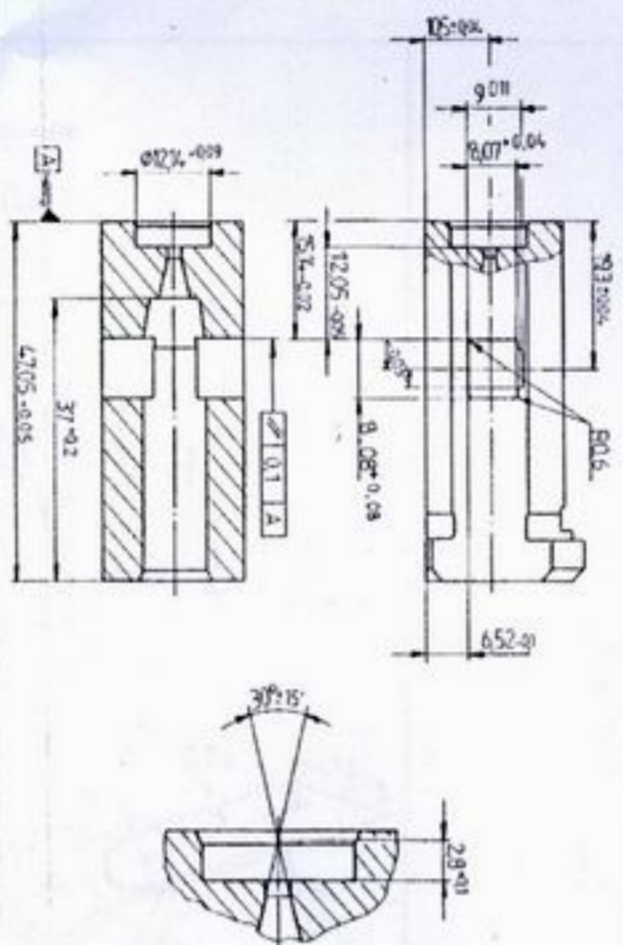
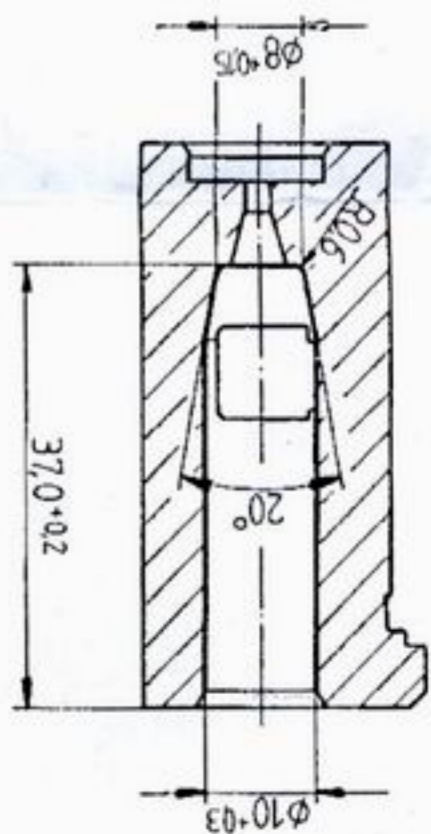
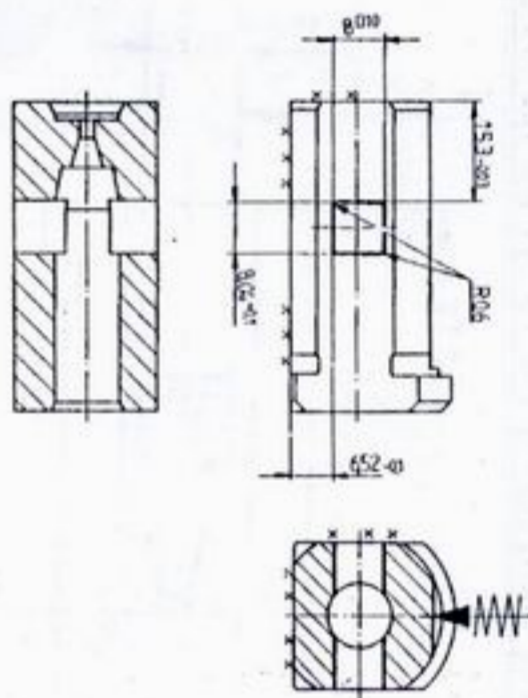
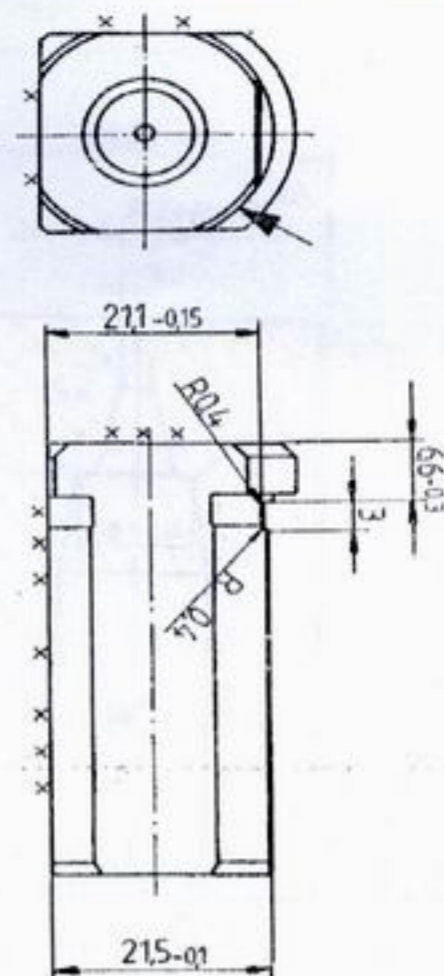
Interested OEMs must provide following information:

- Proof of being an OEM/authorized suppliers with company profile/brochure.
 - Detail of such type of machine supplied to other customers worldwide with financial value.
 - Performance of such type of machine supplied to various customers.
 - Backup services in Pakistan.
 - Business with POF.
 - Financial status by showing annual turnover.
 - Appropriate managerial capacity.
- Sealed envelopes containing pre-qualification documents completed in all respect must reach this office on or before **21-12-2017** but not later than closing time **12:00 hrs**. The Pre-Qualification documents will be opened at **12:30 hrs** on the same date in the office of undersigned. Tender documents will be issued to the pre-qualified firms only.
 - The competent authority reserves the right to reject any firm. However, reasons for rejection can be provided upon request. In this decision of competent authority will be considered as final and unchallengeable.
 - Obtaining of **Export License** from their respective government will be the responsibility of OEM. Conditional offers will not be acceptable.

Managing Director
Weapons factory
Tele: +92-51-9055-21015
Fax #: 92-51-9271400/9314100
E-mail: mdwfn@pof.gov.pk

BOLT HEAD-G3A3

Material 14 Ni Cr 14 K+G/Size $\phi 30$ mm.



BOLT HEAD-MP5A2
Material 14 Ni Cr 14 K+G/Size Ø26mm.

